

Available with optional double and single deck hanging screen system.



# QI441 PRISEC™ IMPACTOR ENGINEERING IN MOTION

## TECHNICAL SPECIFICATIONS

KEY SPECIFICATIONS	DATA
Primary feeder	
Wear resistant lined feeder	1290 mm x 2405 mm / 4' 3" x 8' 4"
Pre screen	
Wear resistant top deck grizzly / punch plate	1360 mm x 2160 mm / 4' 6" x 7' 1"
Bottom deck mesh	1360 mm x 1730 mm / 4' 6" x 5' 8"
Pre screen top deck media	40 mm / 1 1/2" punch plate
Pre screen bottom deck media	20 mm / 3/4" mesh
Underpan feeder size	1022 mm x 2400 mm / 40 1/4" x 94 1/2"

KEY SPECIFICATIONS	DATA
Impactor	Sandvik CI421 Prisec™
Feed opening	1360 mm x 800 mm / 54" x 31 1/2"
Hydraulic inlet opening	1360 mm x 1000 mm / 54" x 39 1/2"
2 aprons	Hydraulic assist
Maximum feed size	800 mm / 31 1/2"
Engine	CAT C13 Acert 328 kW / 440 hp
Drive type	Direct / Hydraulic
Fuel tank	660 litres / 174 USG
Hydraulic tank	660 litres / 174 USG

Note. All weights and dimensions are for standard units only

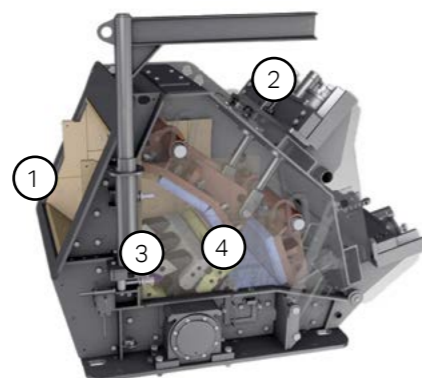
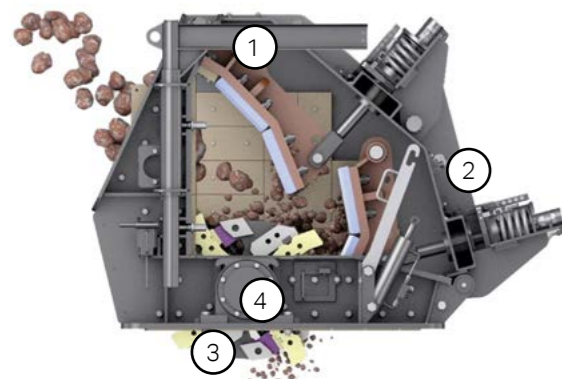
Featuring Sandvik's unique CI421 Prisec™ impact chamber (5 patents pending). The Prisec™ concept enables one base crusher to be configured as either a Primary or Secondary chamber whilst maintaining optimum crushing geometry.

Diagram illustrates the curtain pivot shafts in upper position for primary applications.

Diagram illustrates the curtain pivot shafts in lower position for secondary applications.

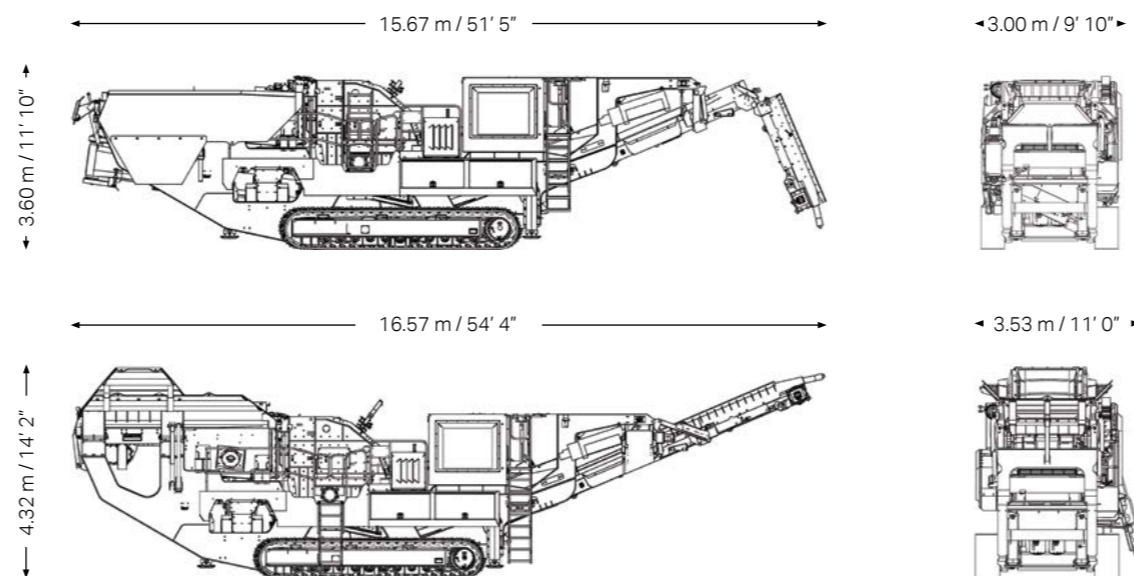
- 1 Lifting jib and blowbar cradle supplied as standard for quick and easy maintenance.
- 2 Heavy duty fully welded chamber enclosure to withstand the toughest of applications.

- 1 Chamber lined with interchangeable abrasion resistant tiles which can be turned for maximum usage.
- 2 Apron V block brake adjustment and overload system for maximum protection.



- 3 Heavy duty 4 bar rotor with interchangeable hammer configuration.
- 4 Heavy duty oversized spherical roller bearings for maximum strength and durability.

- 3 Wedge locking for simple blowbar retention.
- 4 2 Heavy duty aprons lined with abrasion resistant Sandvik liners.



Standard weight 52,725 kg / 116,239 lbs

BS-328 ENG rev8 © Sandvik Construction 2016 SANDVIK is a registered trademark owned by Sandvik Intellectual Property AB in Sweden and other countries.



# QI441 PRISEC™ IMPACT CRUSHER ENGINEERING IN MOTION

KEY SPECIFICATIONS	DATA
Equipment	Sandvik CI421 Prisec™ Impactor
Feed opening	1360 mm x 800 mm / 54" x 31 1/2"
Maximum feed size	800 mm / 31 1/2"
Engine	C13 Acert 328 kW / 440 hp
Transport dimensions	15.67 m / 51' 5" (l) 3.00 m / 9' 10" (w) 3.60 m / 11' 10" (h)
Weight	52,725 kg / 116,239 lbs
Weight (with HS Double deck)	64,340 kg / 141,845 lbs
Weight (with HS Single deck)	61,280 kg / 135,099 lbs

## HIGH THROUGHPUT

Featuring Sandvik's market leading Impactor technology, this new model will offer customers unparalleled flexibility in primary and secondary applications, undoubtedly proving to be the perfect solution for large scale operators.

Its heavy duty chassis has been designed for ease of mobility and yet is able to withstand the toughest of environments. It incorporates the Sandvik CI421 Prisec™ impact crusher which is suitable for a wide variety of applications in demolition, recycling and quarrying.

It is available with an optional double deck hanging screen system, which will allow customers an even greater return on investment through the facility to produce accurately sized products for immediate use.

## FEATURES INCLUDE:

- Excellent reduction ratio across a broad spectrum
- Emissions compliant 328 kW / 440 hp engine for powerful cost efficient performance
- Overband magnet, pre screen and underpan feeder fitted as standard
- Choice of pre screen media which provides the flexibility to suit any application
- 50°C ambient temperature capability without the need for an oil change
- Direct drive through hydraulic wet clutch
- Designed for optimum fuel economy and low operating costs.

## STANDARD FEATURES



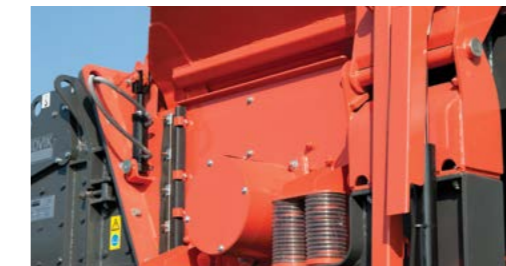
Hydraulic raise and lower on the main conveyor



Easy access to the engine compartment



User friendly PLC control system with colour screen



Double deck vibrating pre screen



Vibrating primary feeder



Overband magnet



- 1 **Main conveyor**
- 1200 mm / 47 1/4" wide conveyor with a discharge height of 4074 mm / 13' 4" and dual hydraulic drive
  - Hydraulic raise / lower facility to give increased clearance for rebar discharge in recycling applications
  - Overband magnet removes rebar for recycling and demolition applications
  - Dust suppression spray bars fitted as standard

- 2 **Cooling fan**
- Hydraulically driven cooling fan with auto reverse to back flush dust from radiator

- 3 **Power pack**
- 328 kW / 440 hp emissions compliant engine
  - Direct drive through wet hydraulic clutch
  - Easy access to engine compartment for service and maintenance
  - Ground level drainage points
  - Large capacity 660 litre / 174 USG diesel tank

- 4 **Impactor box**
- Sandvik CI421 - Patented design to work in either a primary or secondary application
  - Feed opening 1360 x 800 mm / 54 x 31 1/2"
  - 4 blow bar rotor - 1150 mm / 45 1/4" diameter
  - Ceramic blow bars fitted as standard
  - Variable speed of 563 rpm to 696 rpm
  - Tip speed range of 34 to 42 m/s / 112 to 138 ft/s to achieve a wide range of product gradations
  - Inlet opening can be raised to clear blockages from the radio remote

- 14 **Hanging screen system (optional)**
- 4 x 1.5 m / 13' x 5' single or double deck screen for recirculation back to feed conveyor, or stockpiling through 90° rotation of oversize conveyor to produce two products
  - Hydraulic operation from recirculating to stockpiling position

- 13 **Chassis**
- Heavy duty fabricated chassis on tracked frame
  - Hydraulic legs for increased stability and servicing capabilities (optional)

- 12 **Control system**
- Highly efficient hydraulic and electric system provides ultimate system control
  - User friendly PLC control system with colour screen for full automated control

- 11 **Tracks**
- 500 mm / 19 3/4" wide tracks driven by proportional umbilical control
  - Radio remote (optional)

- 10 **Steel pipework (other side of machine)**
- Provides a safe and maintenance-free sealing solution, combined with better heat dissipation

- 9 **Underpan feeder**
- Fitted as standard for maximum belt protection and to reduce spillage

- 8 **Natural fines conveyor (optional)**
- Fitted for removal of fines
  - Belt width 650 mm / 25 1/2"
  - Discharge height 3084 mm / 10' 1"

- 5 **Pre screen**
- Heavy duty double deck pre screen
  - Choice of media
  - 3 position by-pass chute for ultimate separation
  - Fitted with a pre-screen to ensure maximum scalping capability to increase throughput and reduce wear cost

- 6 **Hopper**
- Reinforced hopper with hydraulically folding doors
  - Extensions available (optional)

- 7 **Primary feeder**
- Large capacity spring mounted vibrating feeder
  - Wear resistant liner plates fitted as standard
  - Engine load monitoring regulates the feeder speed to reduce blockages and wear