



# RECYCLING EQUIPMENT RANGE

## MOBILE TROMMEL SCREENS

MPB 14.44, MPB 18.47, MPB 20.55, MPB 20.72  
MPB 18.47g, MPB 20.55g, MPB 20.55gh, MPB 20.72g

## MOBILE SLOW-SPEED SHREDDERS

MRW 2.85, MRW 2.85g, MRW 2.85h  
MRW 2.1010, MRW 1.300

## MOBILE HIGH-SPEED SHREDDER

MRS 1.53

## WINDROW TURNER

MBA 4512g

## MOBILE STOCKPILERS

MPT 18g, MPT 24g, MPT 15g, MPT 18/1g, MPT 24/1g

## HYDRAULIC CHANNEL BALING PRESS

HPBK-67HA







# RECYCLING EQUIPMENT RANGE

<b>MOBILE TROMMEL SCREENS</b>	4
MPB 14.44, MPB 18.47, MPB 20.55, MPB 20.72 MPB 18.47g, MPB 20.55g, MPB 20.55gh, MPB 20.72g	
<b>DRUMS</b>	20
<b>STARSCREEN FOR MPB20.55</b>	21
<b>MOBILE SLOW-SPEED SHREDDERS</b>	22
MRW 2.85, MRW 2.85g, MRW 2.85h, MRW 2.1010	
<b>MOBILE SINGLE SHAFT SLOW-SPEED SHREDDER</b>	32
MRW 1.300	
<b>MOBILE HIGH-SPEED SHREDDER</b>	35
MRS 1.53	
<b>SHAFTS FOR MULTIPLE APPLICATIONS</b>	38
<b>WINDROW TURNER</b>	40
MBA 4512g	
<b>MOBILE STOCKPILERS</b>	46
MPT 18g, MPT 24g	
<b>MOBILE STOCKPILERS</b>	54
MPT 15g, MPT 18/1g, MPT 24/1g	
<b>HYDRAULIC CHANNEL BALING PRESS</b>	58
HPBK-67HA	



**Gold Medal MTP 2014  
Mobile Trommel Screen  
MPB 18.47**



**Gold Medal MTP 2017  
Mobile Stockpiler MPT 18g**



**Gold Medal MTP 2016  
Mobile Slow-speed Shredder  
MRW 2.1010**



**Gold Medal MTP 2018  
Customer choice  
Mobile Stockpiler MPT 18g**



**Gold Medal MTP 2016  
Customer choice  
Mobile Slow-speed Shredder  
MRW 2.1010**



**Gold Medal MTP 2018  
Mobile slow-speed shredder  
MRW 1.300**



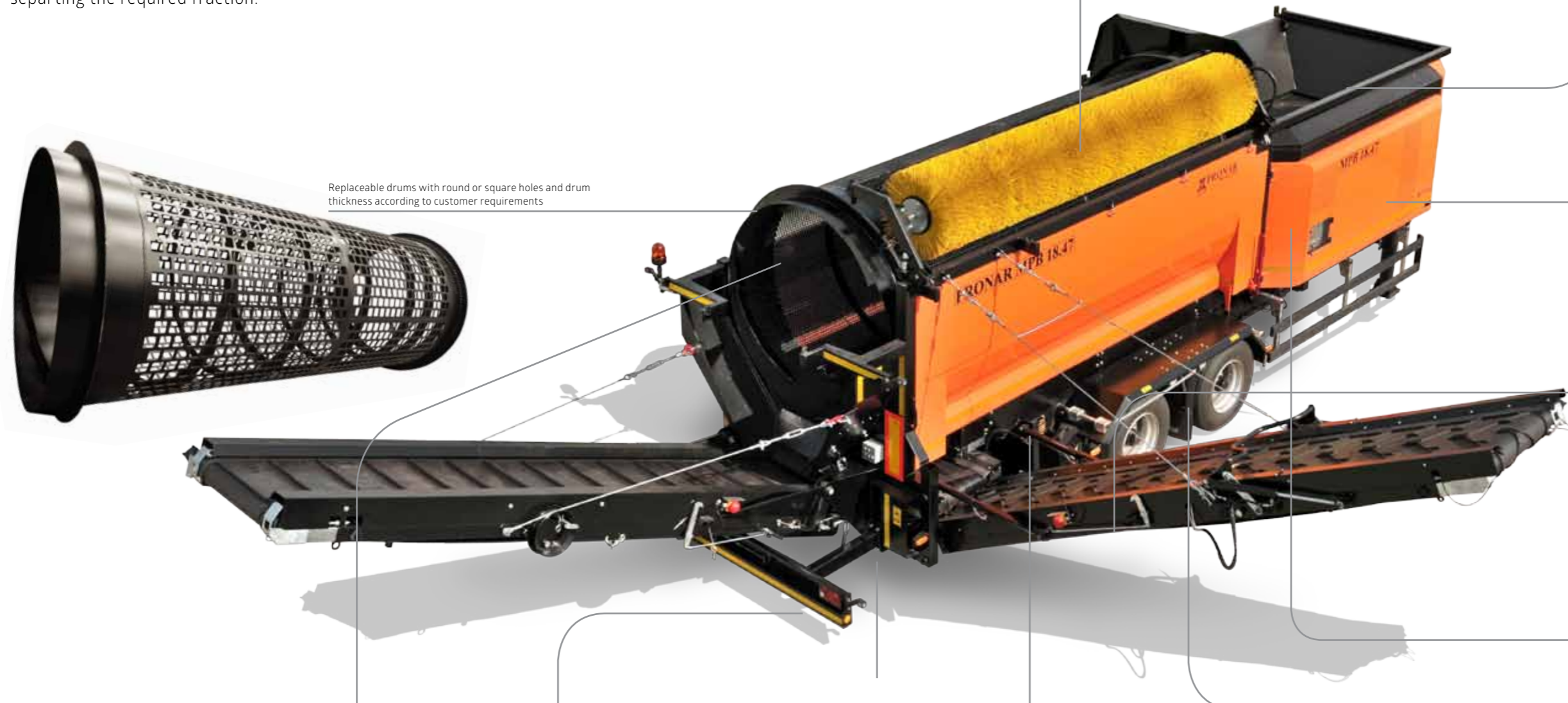
**Gold Metal MTP 2019 Hydraulic channel baling  
press HPBK-67HA**





**Mobile trommel screens are used for effective material separating into different size fractions.**

Thanks to solid construction and simple principle of operation mobile trommel screens are perfectly suited for work with many different materials - municipal waste, wood waste and chips, compost, biomass, coal, soil, gravel, aggregates etc. Four available sizes allow to fit machine according to the task. Replacable drums can be made according to customers needs - thickness adequate to- the material and hole size for separating the required fraction.



Hydraulically raised and lowered trommel cleaning brush



Sealing in the hopper prevents material from leaking to the inside of the machine



Replaceable drums with round or square holes and drum thickness according to customer requirements



Control panel with easy-to-use functions



Belt speed adjustment - adjusts the speed to the type of screened material to maximize the performance. It also allows to stack more material of each fraction without the need of re-locating the machine

Quick and easy drum change

Rear control panel for safe and easy conveyors unfolding.

**Hydraulic support legs** improve machine stability on uneven ground

**Central lubrication system** ensures good greasing of the most important parts of the machine.

Homologation allows for moving screener on roads (up to 100km/h)

The engine and hydraulic system are mounted on a pull-out frame which provides easy access for maintenance





MOBILE TROMMEL SCREENS 

# MPB 18.47g / 20.55g / 20.55gh / 20.72g

**Pronar offer of mobile trommel screens is complemented with tracks version models.**

A totally autonomous drive system allows for trouble-free operations without additional towing machines required. The screens may be repositioned at any time thanks to the tracked chassis and can be used in hard to reach areas.



Remote control



Tracks pads prevent floor scratching



Hydraulic system for adjusting chassis position in MPB 20.55gh. The mechanism allows leveling machine on longitudinal slopes and increases the clearance for easier moving on uneven terrain



Tracked chassis for moving the machine without any additional towing vehicles

Rear conveyor folded by means of two hydraulic cylinders

Beacon light signalises work/drive mode

Conveyors retract to the outside of the machine - this allowed for lesser height







MPB 20.55 - soil



MPB 20.55g - soil



MPB 18.47 - coal

**Air separator** perfectly separates light materials from larger fraction - additional recovery of secondary raw materials such as foil or paper

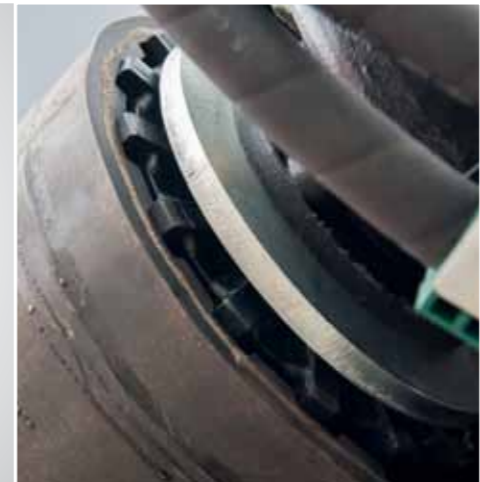
**Magnetic roller** for ferrous metals may be mounted on rear and side discharge conveyors

**Hydraulic tipping grid** for removing large objects - prevents damage to the trommel drum. Used for debris, gravel and stones

**Remote controls** for basic machine functions. Especially useful when using hopper tipping grid. Loader operator can remove the accumulated material directly from his cabin. Remotes also have the emergency stop button. (available 6- and 10-button versions)

**Ribbed belt** - special construction prevents slipping of the hopper belt when screening high-density materials i.e. gravel

**Electric pump** for easy refuelling







MPB 20.55g - biologically stabilized waste



MPB 18.47 - biologically stabilized waste



MPB 18.47 - gravel

Reliable Caterpillar or Deutz engines - thanks to the application of the latest environment-friendly technologies, the engine meets latest emissions standards

Optional electric motor allows a significant reduction of running costs and noise levels

Cleanfix systems - automatically clean engine and hydraulic system oil radiators

Hydraulic legs opened from main control or hand pump







MPB 18.47e - coal



MPB 20.55 - municipal waste



MPB 20.72 - wood chips

Additional 3 point lighting system of the working area increases safety near the screener

**Steel side guards** are more durable and resistant for impacts

**Water and liquid soap tank** available as optional equipment

**Side-guards protection system** stops the machine when side shields are opened by unauthorized personel

**Dolly-type trolley** for moving MPB 20.72 with truck or tractor

**Ball coupling** enables repositioning of the trommel screen using construction machinery





# MPB 14.44 / 18.47 / 20.55 / 20.72 / 18.47g / 20.55g / 20.55gh / 20.72g

MOBILE TROMMEL SCREENS



CHASSIS	MPB 14.44	MPB 18.47	MPB 20.55	MPB 20.72
Gross weight [kg]	11000	12800	16000	17600
Overall dimensions (length/width/height) [mm]	10690/2300/3900	10990/2550/3900	12000/2550/4000	12350/2550/4000
Maximum speed [km/h]	100	100	100	100
Brake system	Pneumatic with EBS	Pneumatic with EBS	Pneumatic with EBS	Pneumatic with EBS
ABS configuration	4S/2M	4S/2M	4S/2M	4S/2M
Brake type	drum brake	drum brake	drum brake	drum brake
Additional power supply to EBS module	+	+	+	+
Type of mounting attachment	mechanical	mechanical	mechanical	mechanical
Number of wheels	4	4	4	4
Tyre dimensions	435/50 R19.5 (160J)	435/50 R19.5 (160J)	435/50 R19.5 (160J)	435/50 R19.5 (160J)
Axle manufacturer	ATW/ADR	ATW/ADR	ATW/ADR	ATW/ADR
Number of axles	2	2	2	2
Maximum axle load [kg]	9000	9000	9000	9000
Front support legs	2 mechanical	2 mechanical	2 mechanical	2 mechanical
Rear support legs	1 hydraulic	1 hydraulic	1 hydraulic	1 hydraulic
Road lighting voltage [V]	24 (12)	24 (12)	24 (12)	24 (12)
Type of road lights	LED	LED	LED	LED
Drawbar eye diameter [mm]	50	50	50	-
Drawbar eye height [mm]	950 (±110)	950 (±110)	950 (±110)	-
Coupling bolt diameter (king pin)	-	-	-	2"
Height of king pin coupling	-	-	-	1150
Cutting barriers	+	+	+	+
Mudguards	steel	steel	steel	steel
Mud flaps	+	+	+	+
Warning signs	+	+	+	+
Wheel chocks	+	+	+	+
Contour markings	+	+	+	+
Rotating warning beacon	+	+	+	+
Tool box (1 piece: - 50l)	+	+	+	+
Water container (30l) with a soap dispenser	-	-	-	+
Detachable rear bumper	+	+	+	+
Rear conveyor belt speed control	+	+	+	+
Side conveyor belt speed control	+	+	+	+

TRACKED CHASSIS	MPB 18.47g	MPB 20.55g	MPB 20.55gh	MPB 20.72g
Gross [kg]	14000	20000	20840	20300
Overall dimensions (length/width/height) [mm]	9530/2900/3420	10610/2910/3450	11620/3100/3500	12400/2900/3650
Maximum speed [km/h]	1	1	1	1
Remote control	radio	radio	radio	radio
Approach angle	16 / 11	16 / 11	16 / 11	16 / 11

## Brand, displacement, Exhaust, NOM power kW (HP) / rpm / MAX power kW (HP) / rpm

MPB 14.44	MPB 18.47	MPB 20.55	MPB 20.72	MPB 18.47g	MPB 20.55g	MPB 20.55gh	MPB 20.72g
Caterpillar, 2.2 L, Stage 3A, 32 (44) / 2200 / 36,4 (49) / 2800	Caterpillar, 3.4 L, EU Stage 3B, 55,4 (75) / 2200	Caterpillar, 4.4 L, EU Stage 3B, 72 (98) / 1600 / 74,5 (101) / 2200	Deutz, 3.6 L, EU Stage 3B, 82 (111) / 2000 / 90 (122) / 2300	Caterpillar, 3.4 L, EU Stage 3B, 55,4 (75) / 2200	Caterpillar, 4.4 L, EU Stage 3B, 72 (98) / 1600 / 74,5 (101) / 2200	Caterpillar, 4.4 L, EU Stage 3B, 72 (98) / 1600 / 74,5 (101) / 2200	Deutz, 3.6 L, EU Stage 3B, 82 (111) / 2000 / 90 (122) / 2300
Deutz, 2.9 L, EU Stage 3A, 32 (44) / 2200 / 36,4 (49) / 2600	Deutz, 2.9 L, EU Stage 3B, 55,4 (75) / 2200 / 55,4 (75) / 2600	Deutz, 3.6 L, EU Stage 3B, 68 (92) / 1600 / 74,4 (101) / 2300	Caterpillar, 3.4 L, EU Stage IV, 90 (122) / 2000 / 90 (122) / 2200	Deutz, 2.9 L, EU Stage 3B, 55,4 (75) / 2200 / 55,4 (75) / 2600	Deutz, 3.6 L, EU Stage 3B, 68 (92) / 1600 / 74,4 (101) / 2300	Deutz, 3.6 L, EU Stage 3B, 68 (92) / 1600 / 74,4 (101) / 2300	Caterpillar, 3.4 L, EU Stage IV, 90 (122) / 2000 / 90 (122) / 2200
-	Deutz, 2.9 L, EU Stage V, 55,4 (75) / 2200 / 55,4 (75) / 2600	Caterpillar, 3.4 L, EU Stage IV, 81,1 (110) / 1600 / 90 (122) / 2200	Deutz, 3.6 L, EU Stage IV, 90 (122) / 2000 / 90 (122) / 2200	Deutz, 2.9 L, EU Stage V, 55,4 (75) / 2200 / 55,4 (75) / 2600	Caterpillar, 3.4 L, EU Stage IV, 81,1 (110) / 1600 / 90 (122) / 2200	Caterpillar, 3.4 L, EU Stage IV, 81,1 (110) / 1600 / 90 (122) / 2200	Deutz, 3.6 L, EU Stage IV, 90 (122) / 2000 / 90 (122) / 2200
-	Caterpillar, C2.8T, EU Stage V, 44 (60) / 2500	Deutz, 3.6 L, EU Stage IV, 80,4 (109) / 1600 / 90 (122) / 2200	-	Caterpillar, C2.8T, EU Stage V, 44 (60) / 2500	Deutz, 3.6 L, EU Stage IV, 80,4 (109) / 1600 / 90 (122) / 2200	Deutz, 3.6 L, EU Stage IV, 80,4 (109) / 1600 / 90 (122) / 2200	-
-	ABB, el., 30 (41) / 1450	ABB, el., 55 (75) / 1450	ABB, el., 55 (75) / 1450	-	-	-	-
ABB, el., 30 (41) / 1450	ABB, el., 45 (61) / 1450	-	-	-	-	-	-

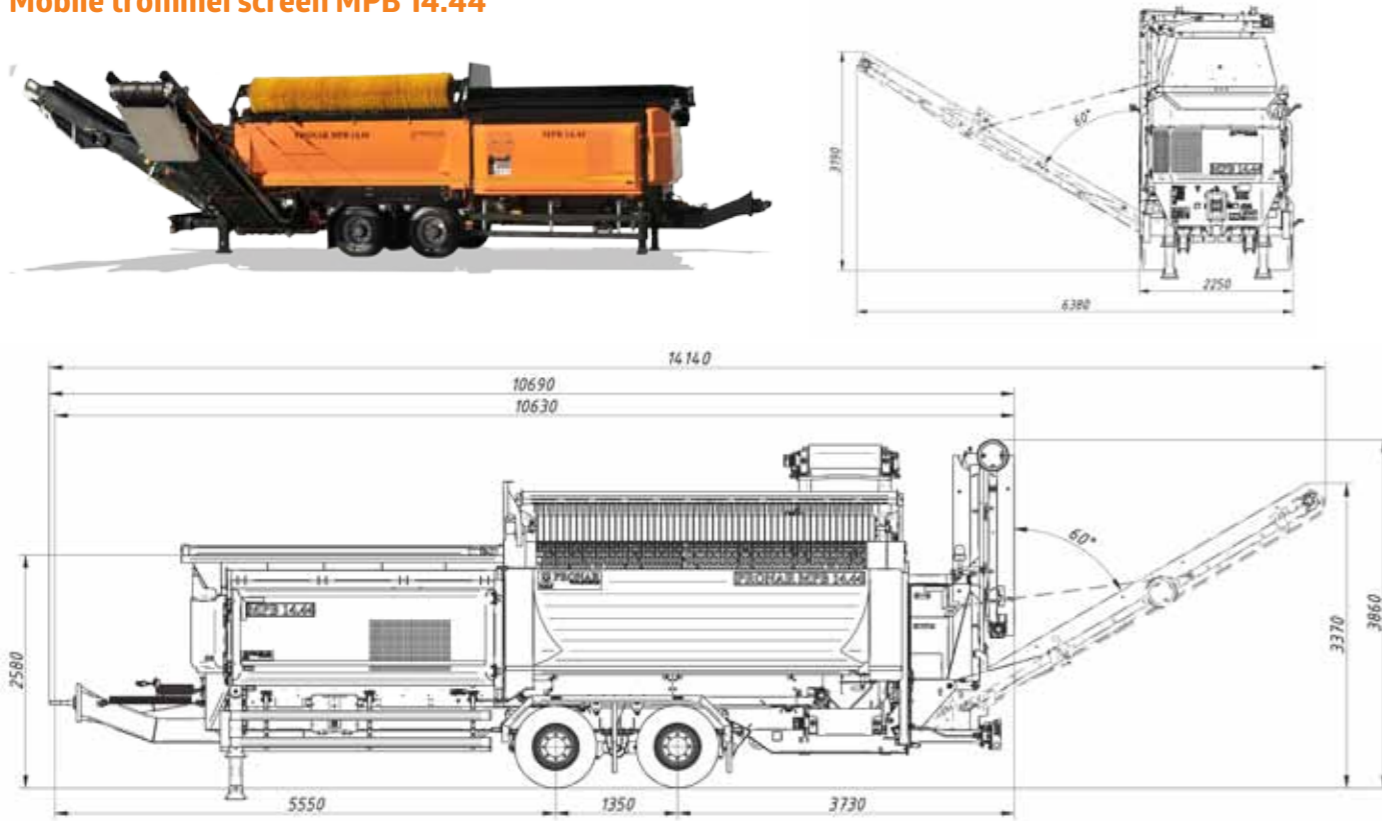
MATERIAL TRANSPORT	MPB 14.44	MPB 18.47	MPB 20.55	MPB 20.72	MPB 18.47g	MPB 20.55g	MPB 20.55gh	MPB 20.72g
Trommel dimensions (length/width) [mm]	4400/1400	4700/1800	5500/2000	7200 / 2000	4700/1800	5500/2000	5500/2000	7200 / 2000
Trommel rotational speed max[rpm]	23	23	24	23	23	20	20	19
Effective sieve surface [m²]	16	22,1	29,8	40,6	22,1	29,8	29,8	40,6
In-feed hopper dimensions (length/width) [mm]	3560/ 1850	3560 / 2120	3900 / 2230	3900 / 2230	3560 / 2120	3900 / 2230	3900 / 2230	3900 / 2230
Loading height [mm]	2600	2800	2850	2730	2660	2700	2700	2830
In-feed hopper capacity [m³]	3,3	5	6	6	5	6	6	6
Dimensions of exterior side conveyor (length/width) [mm]	5200/800	5200/800	4900/1000	4900 / 1000	5200/800	4900/1000	6000/1000	4900 / 1000
Dimensions of exterior rear conveyor (length/width) [mm]	5200/800	5200/800	4900/1000	4900 / 1000	5200/800	4900/1000	6000/1000	4900 / 1000
Width of interior longitudinal conveyor [mm]	1000	1300	1300	1300	1300	1300	1300	1300
Width of interior transverse conveyor [mm]	600	600	800	800	600	800	800	800
Control voltage [V]	12	12	12	12	12	12	12	12
Central lubrication system	+	+	+	+	+	+	+	+
Rear conveyor belt speed regulation	+	+	+	+	+	+	+	+
Side conveyor belt speed regulation	+	+	+	+	+	+	+	+

ADDITIONAL AND OPTIONAL EQUIPMENT	MPB 14.44	MPB 18.47	MPB 20.55	MPB 20.72	MPB 18.47g	MPB 20.55g	MPB 20.55gh	MPB 20.72g
Magnetic Roller - rear conveyor	+	+	+	+	+	+	+	+
Magnetic Roller - side conveyor	+	+	+	+	+	+	+	+
Air separator	-	+	+	+	+	+	-	+
Stone Grid above charging hopper	+	+	+	+	+	+	+	+
Chute near In-Feed hopper	+	+	+	+	+	+	+	+
Side conveyor cleaning brush	+	+	+	+	-	-	-	+
Rear conveyor high guards	+	+	+	+	-	-	-	+
Rear conveyor 3m	+	+	+	+	+	+	-	-
Side conveyor 3m - left side	-	-	+	+	-	+	-	+
Side conveyor 3m	-	-	+	+	+	+	-	+
Ball attachment	+	+	+	-	n.a	n.a	n.a	n.a
Hydraulically controlled front support legs	+	+	+	-	n.a	n.a	n.a	n.a
Screen hole size	according to customer's requirements							
Sieve wall thickness	according to customer's requirements							
Drawbar eye diameter ø40	+	+	-	-	n.a	n.a	n.a	n.a
Drawbar eye diameter ø57 (Swedish standard)	+	+	+	-	n.a	n.a	n.a	n.a
Side security guards	+	+	+	+	+	+	+	+
Cleanfix for motor cooler	+	+	+	+	+	+	+	+
Cleanfix for hydraulic oil cooler	+	+	+	+	+	+	+	+
In-Feed hopper load/pressure sensor	+	+	+	+	+	+	+	+
Water container (30l) with a soap dispenser	+	+	+	-	+	+	+	+
Work area light system (3 points)	+	+	+	+	+	+	+	+
Steel bike catchers	+	+	+	-	n.a	n.a	n.a	n.a
Additional hydraulic pumps (20 l/min, 40 l/min)	-	-	+	+	+	+	+	+

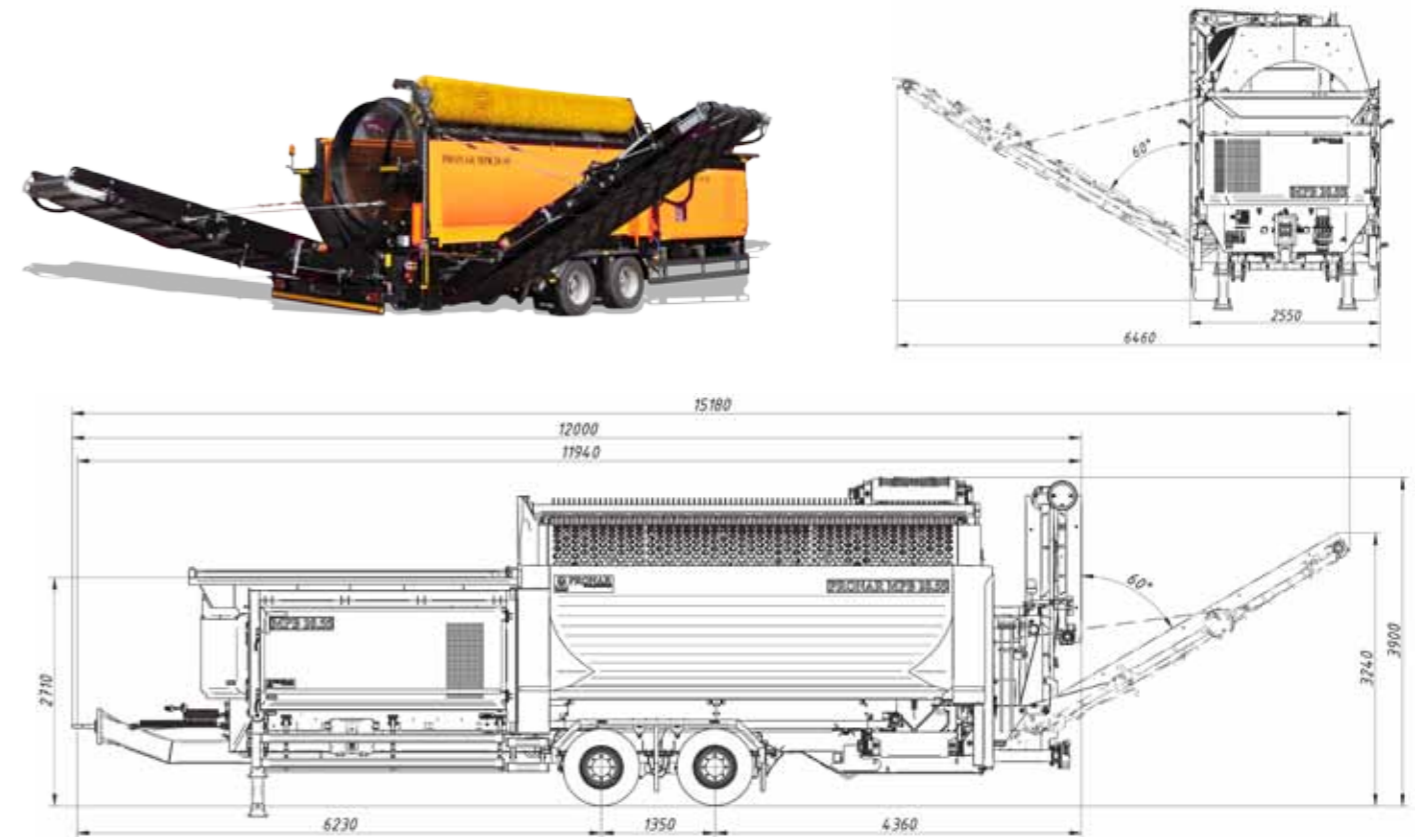




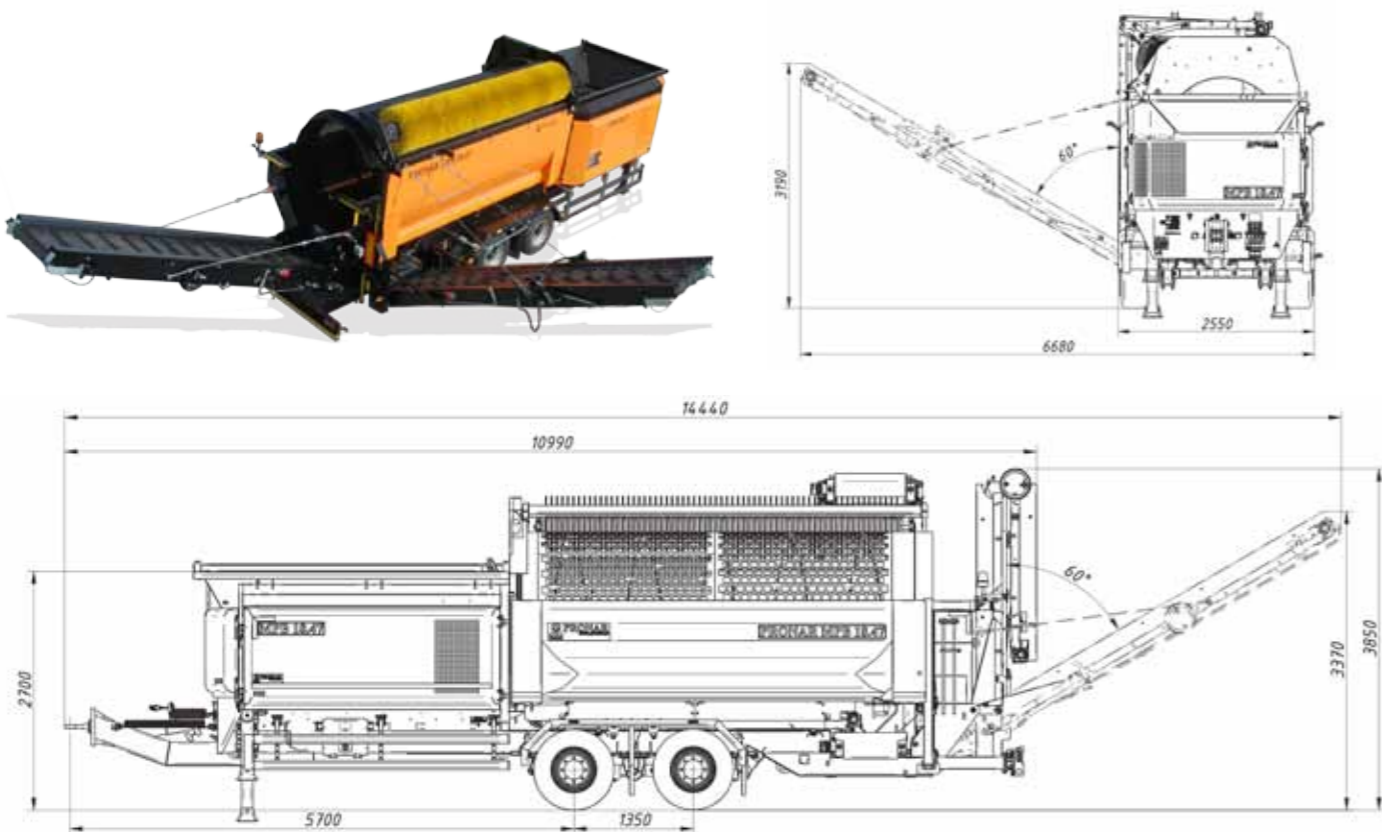
**Mobile trommel screen MPB 14.44**



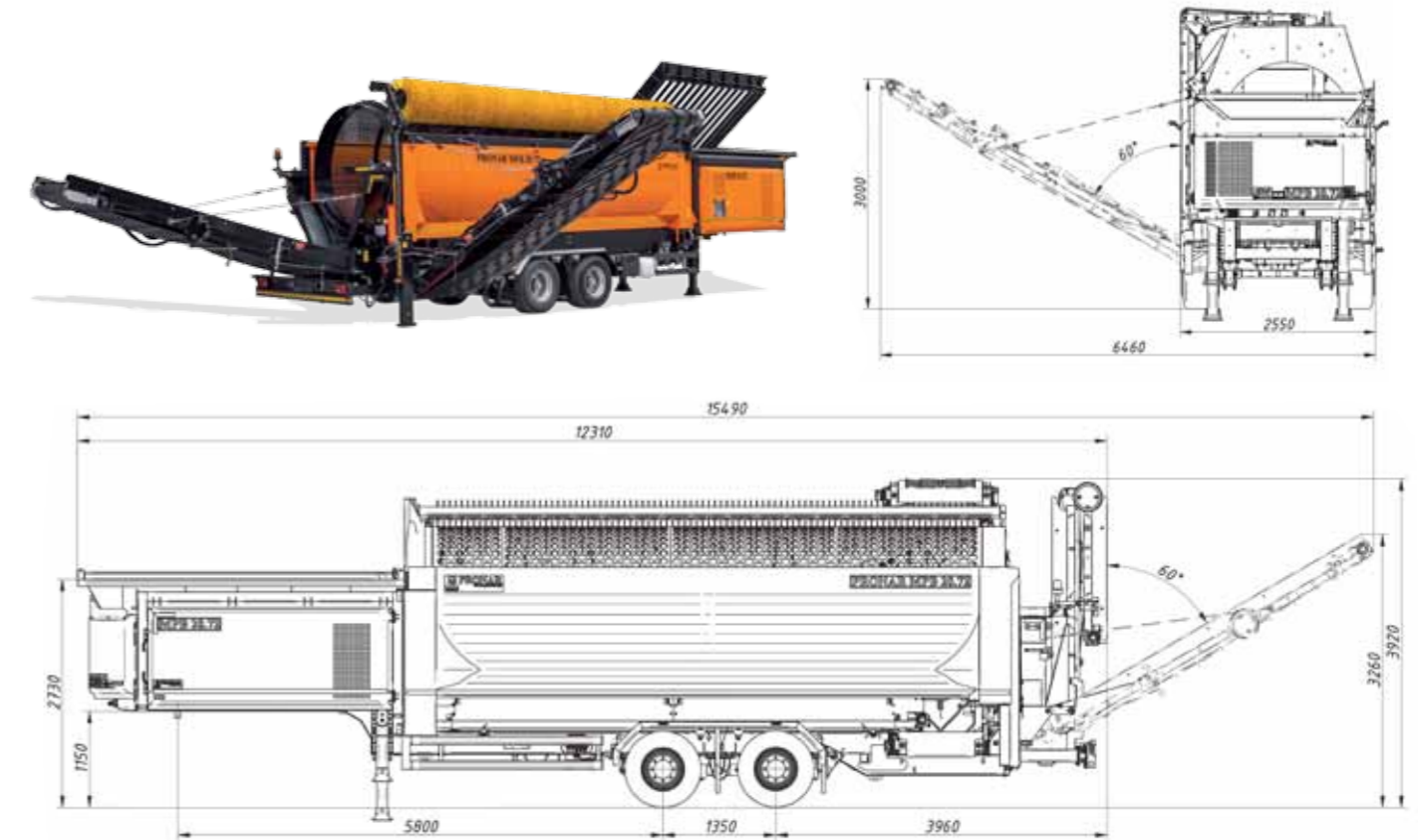
**Mobile trommel screen MPB 20.55**



**Mobile trommel screen MPB 18.47**



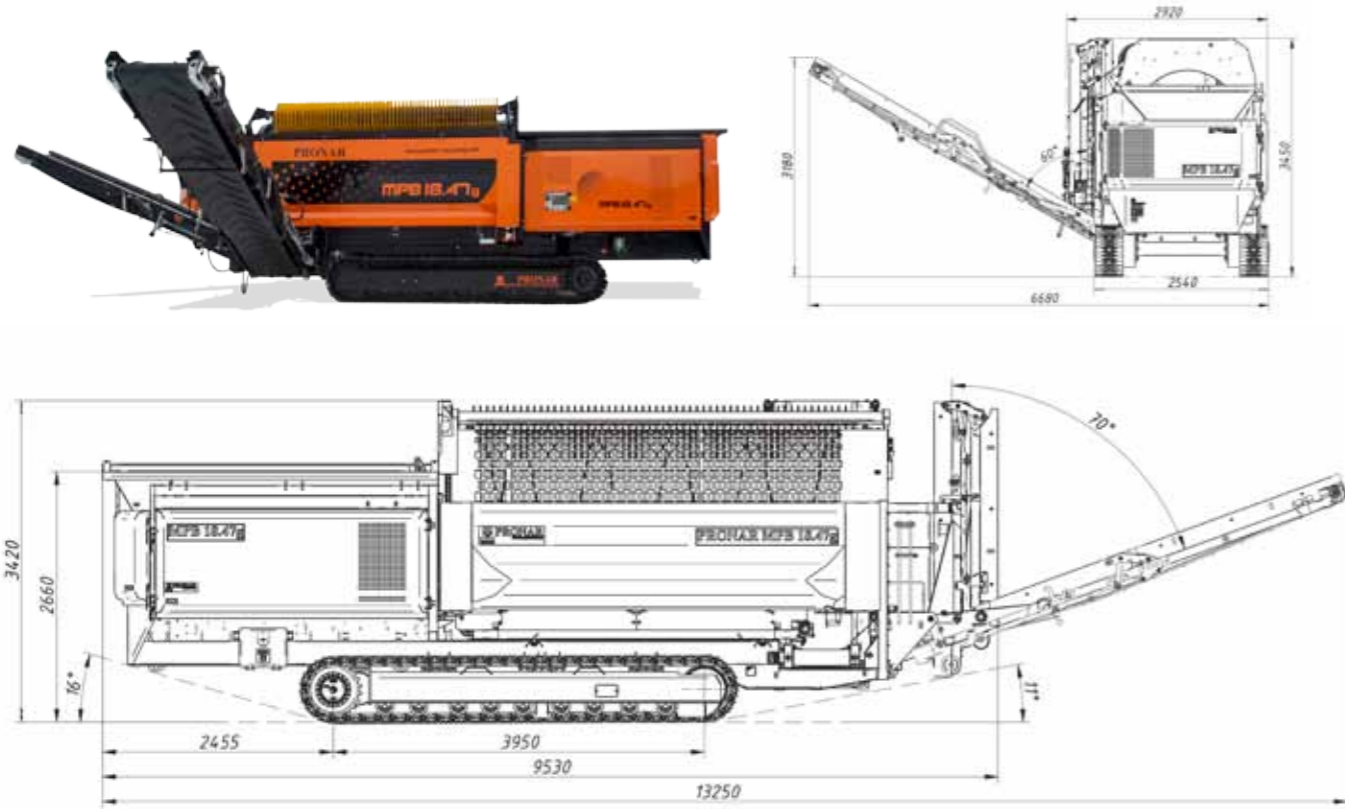
**Mobile trommel screen MPB 20.72**



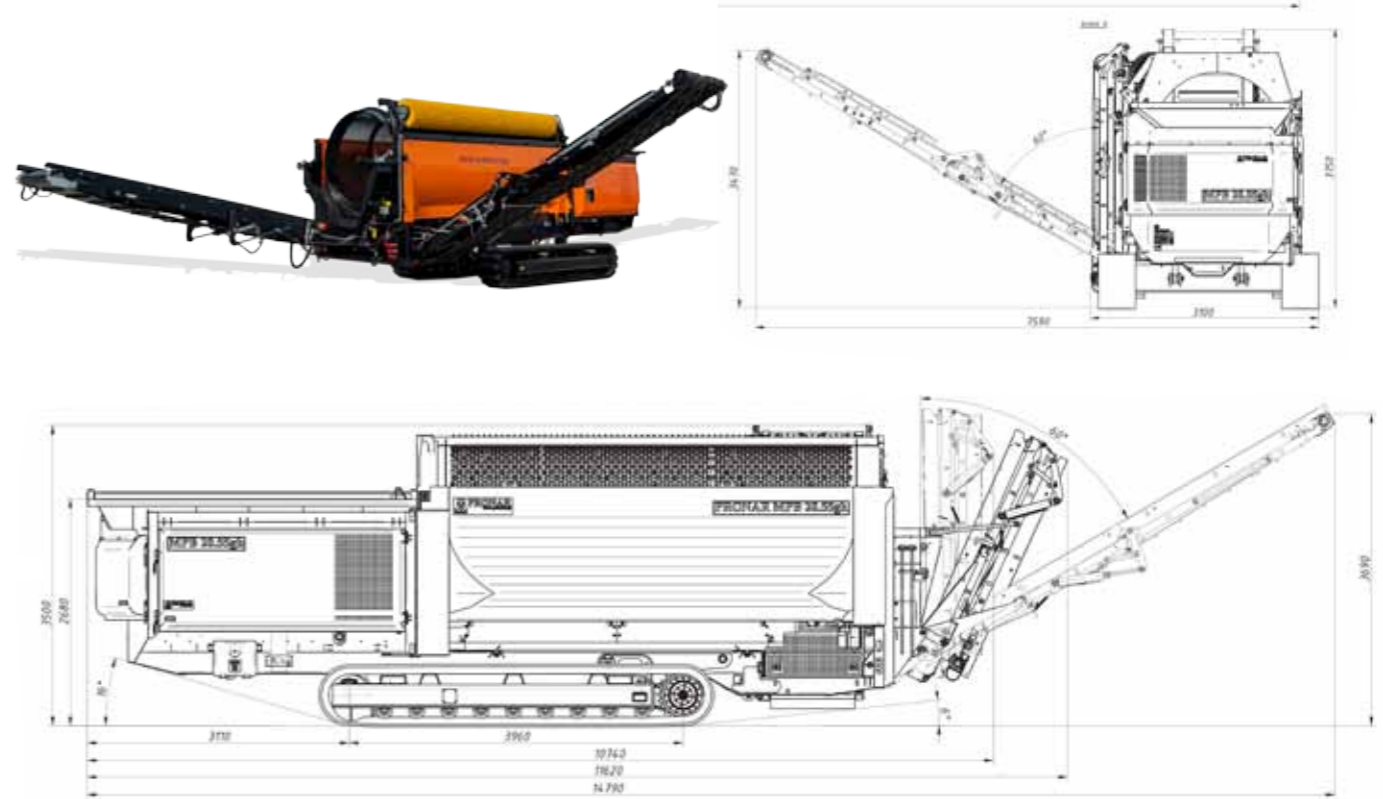




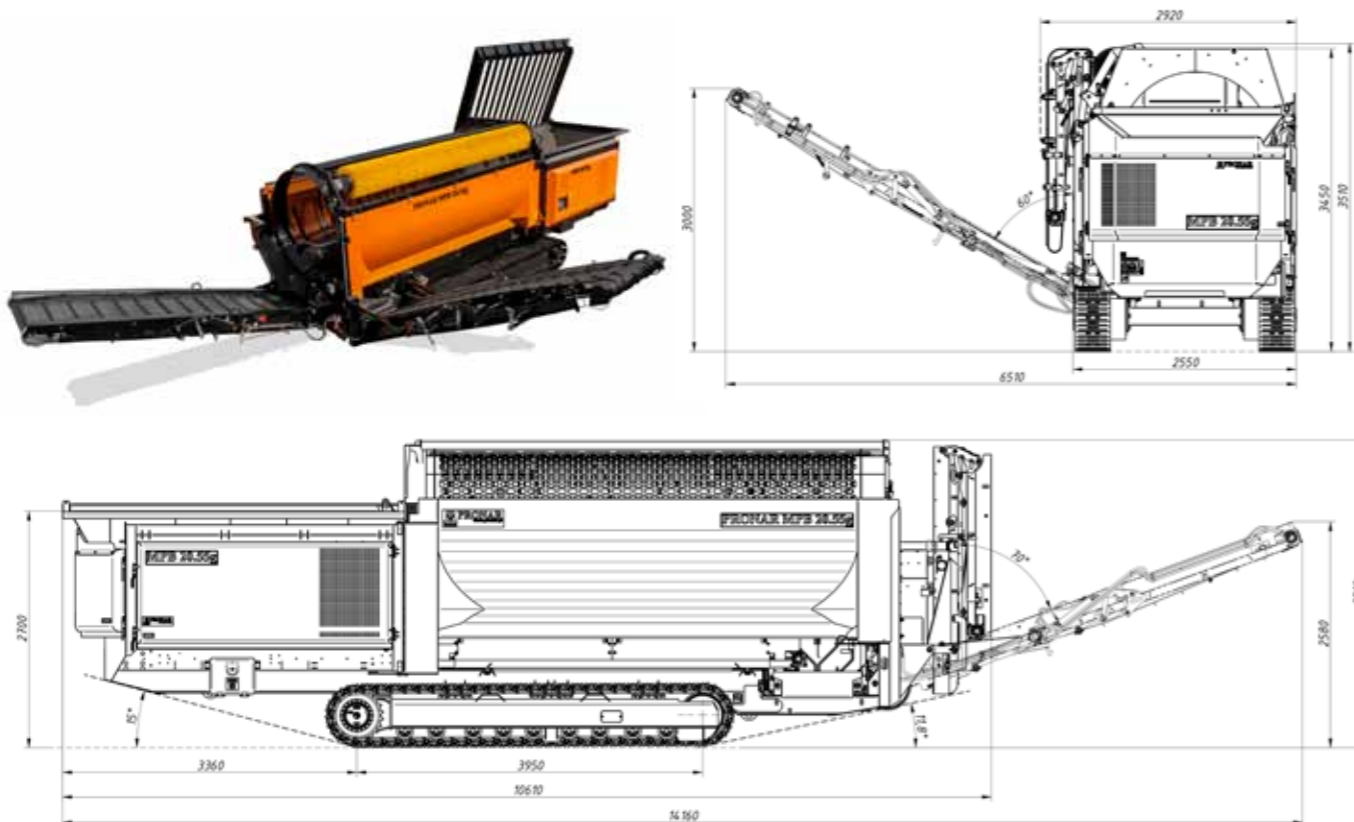
**Tracked mobile trommel screen MPB 18.47g**



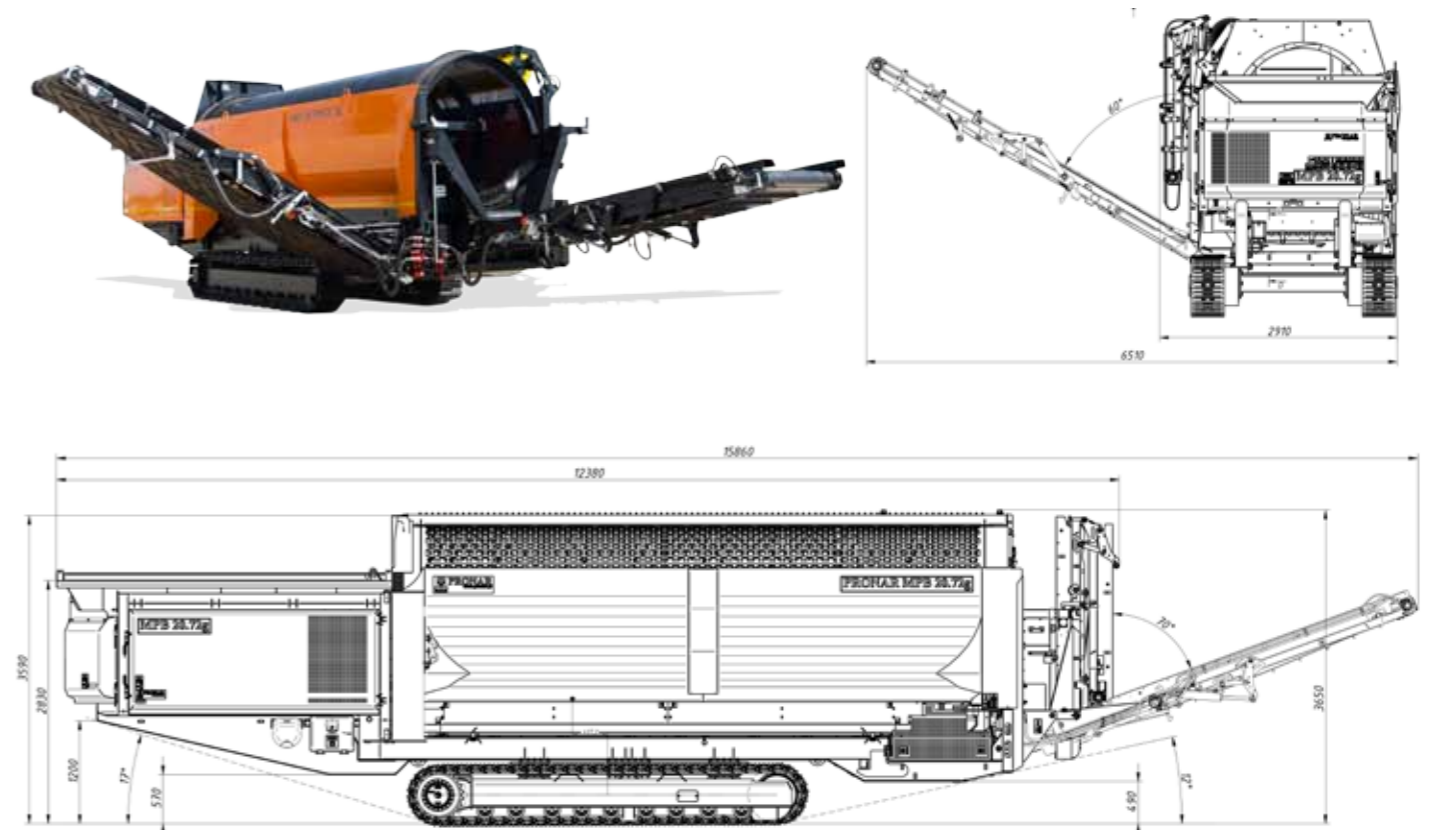
**Tracked chassis mobile trommel screen with hydraulic system clearance regulation MPB 20.55gh**



**Tracked mobile trommel screen MPB 20.55g**



**Tracked mobile trommel screen MPB 20.72g**







Pronar MPB Trommel drums may be easily changed to suit material screening requirements.

Pronar also produces screen drums compatible with other manufacturers' machines.

**Depending on the screened material:** soil, compost, municipal waste, aggregate, biomass; different types of perforation are available, shapes include round or square, any size hole available.

**There are 4 standard drum versions available:**

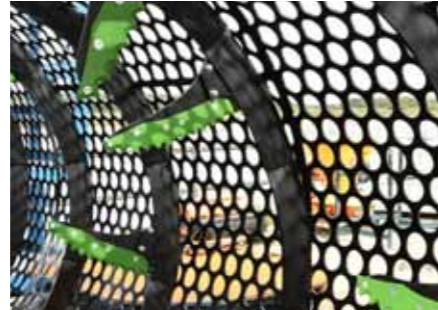
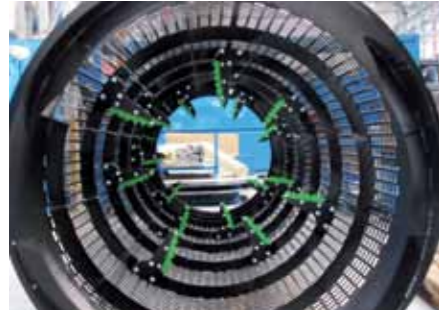
- length 4,4 m & diameter 1,4 m
- length 4,7 m & diameter 1,8 m
- length 5,5 m & diameter 2 m
- length 7,2 m & diameter 2 m

There are 3 standard wall thickness versions: 6 mm, 8 mm and 10 mm.

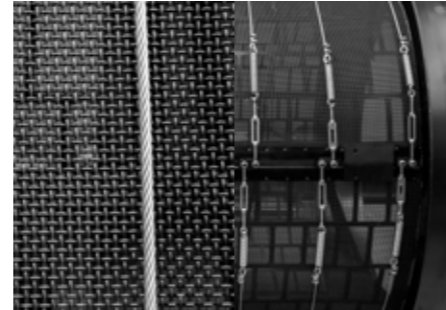
Hole size, regardless of its shape, could be from 10 to 100 mm.

**Upon client's request, we are able to manufacture a drum of non-standard holes or made of steel mesh**

Screwed knives for ripping bags with waste\*



Special mesh drum for perforation <10mm



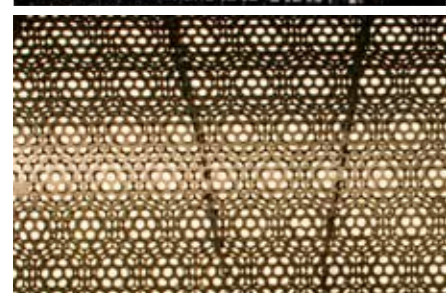
Steel lifters in the drum help more efficient separation and screening



Different types of perforation "O"-round

Drum length [mm]	Drum diameter [mm]	Available drum thickness [mm]	
4400	1400	6/8/10	square / round
4700	1800	6/8/10	square / round
5500	2000	6/8/10	square / round
7200	2000	6/8/10	square / round

Different types of perforation "K" - square



Starscreen can be used instead of trommel. Utilising starscreen during works on wet material increases machine efficiency. The rotation speed of the stars can be steplessly regulated which allows for accurate setting of the separated fraction

**Destined for:**

- Municipal and industrial waste, compost,
- Shredder tree stumps, wood, bark,
- Contaminated aggregates: sand, gravel, clay, stones, soil, peat, coal,
- Materials for road or garden works



Material spreading shaft

Available starscreens:

Model	Screening area
MPB 20.55, 20.55g, 20.55gh	1,2 x 4,9 (5,72 m <sup>2</sup> )





MOBILE SLOW-SPEED SHREDDERS  
**MRW 2.85 / 2.85g / 2.85h / 2.1010**



**Pronar mobile slow-speed shredders are designed for primary shredding different types of materials.**

Machines can be used for shredding municipal green, industrial, construction waste, pallets, tree cutting residues, tree stumps, bulky and oversized materials, light scrap.

Working element consists of two synchronised shredding shafts placed in the working chamber. Working elements are manufactured from wear-resistant materials, which ensures longlife and failure-free operating.

Depending on the chassis type, the shredders can be moved around area at any moment without the use of towing vehicles(tracked chassis) or towed on roads up to 100km/h (wheeled chassis).



Conveyor belt speed rate adjustment



Machine operating mode indicator - for status check and security warnings



Working chamber made of wear-resistant materials which significantly increase lifetime of the machine



Central control panel with touchscreen

Remote control for basic machine operating functions



Hydraulic support legs ensures stability of machine



Hydraulic tipping chute allows to feed over-sized material into working chamber



European road homologation for transport up to 100km/h



Central lubrication system ensures good greasing of most important parts of the machine



Cleanfix systems automatically clean engine and oil hydraulics radiators







MRW 2.1010 - wood



MRW 2.85 - green waste



MRW 2.1010 - municipal waste

**Magnetic separator** for extraction of ferromagnetic materials.



**Ball coupling** enables repositioning of the shredder using construction machinery.



**Working area additional lights** increase safety near the machine



Different types of **shredding shafts** available







MRW 2.85h – municipal waste



MRW 2.85g – municipal waste



MRW 2.85he – municipal waste

MRW 2.85h - carrying by hooklift frame carriers



MRW 2.85h - drag wheel for moving on working place



MRW 2.85 SELF CRAWLER - self-propelled system



Inspection windows of the working chamber for easy cleanout and maintenance





# MRW 2.85 / 2.85g / 2.85h / 2.1010

MOBILE SLOW-SPEED SHREDDERS



CHASSIS:	MRW 2.85
Maximum total weight [kg]	~ 27000
Dimension (length/width/height) [mm]	8850x2550x4000
Max speed [km/h]	100
Brake system	Pneumatic with EBS
ABS configuration	4S/2M
Brake type	Drum
Additional Power supply to EBS system	+
Type of attachment mechanism	mechanical
Number of wheels	6
Tyre dimensions	435/50 R19,5 (160J)
Axle manufacturer	ATW / ADR
Number of axles	3
Max axle load [kg]	9000
Front support legs [pcs]	1
Rear support legs [pcs]	2
Road light voltage [V]	24 (12)
Type of road lights	LED
Drawbar eye diameter [mm]	50
Drawbar height from ground (adjustable) [mm]	950 (± 110)
Mud flaps	+
Wheel chocks	+
Contour markings	+
Beacon light	+
Toolbox	+
Rear removable bar	+
Marking plates	+

TRACKED CHASSIS	MRW 2.85g	MRW 2.1010
Total weight [kg]	26380	~40000
Dimension (length/width/height) [mm]	7800/2550/3200	9500/3000/3200
Number of speeds	2	2
Approach angle (front/rear) [°]	20 / 15	21 / 14

HOOKLIFT CHASSIS	MRW 2.85h
Total weight [kg]	~21500
Dimension (length/width/height) [mm]	7370/2550/2700
Number of wheels	2
Hooklift standard	DIN 30722-1

SHREDDING SYSTEM	MRW 2.85	MRW 2.85g	MRW 2.85h	MRW 2.1010
Dimension of working shafts (length/diameter) [mm]	1700 / 685	1700 / 685	1700 / 685	2440 / 850
Max. shaft speed [rpm]	37/42	37/42	37/42	34
Number of shafts [Pcs.]	2	2	2	2
Working chamber dimension (length/width) [mm]	1720 / 2340	1720 / 2340	1720 / 2340	2440 / 2880
Loading height [mm]	3150	3000	2450	3200
Hopper capacity [m³]	~ 3,0	~ 3,0	~ 3,0	~ 4,5
Transport belt width [mm]	1400	1400	1400	1400
Control voltage [V]	24	24	24	24
Central lubrication system	+	+	+	+
Belt speed regulation	+	+	+	+
Operation signal lights	+	+	+	+
Hydraulically lifted loading hopper	+	+	+	+
Loading hopper and shafts made of wear-resistant steel	+	+	+	+

ADDITIONAL EQUIPMENT:	MRW 2.85	MRW 2.85g	MRW 2.85h	MRW 2.1010
Bar between shafts	+	+	+	+
Magnetic separator	+	+	+	+
Ball coupling	+	n.a	+	n.a
Drawbar eye: ø57 (Swedish standard)	+	n.a	+	n.a
Lighting of working areas	+	+	+	+
Road lighting adapter 15 pin - 2x7 pin (std 15 pin - 15 pin)	+	n.a	n.a	n.a
Shafts according to customer requirements	+	+	+	+

DRIVE:	MRW 2.85	MRW 2.85g	MRW 2.85h	MRW 2.1010
Diesel engine	Caterpillar (EU Stage 4, 9.3 I - 298 kW (405 HP) / 2200 rpm)	Caterpillar (EU Stage 4, 9.3 I - 298 kW (405 HP) / 2200 rpm)	Caterpillar (EU Stage 4, 9.3 I - 298 kW (405 HP) / 2200 rpm)	Volvo Penta (EU Stage 2, 16.1 I - 565 kW (768 HP) / 1850 rpm)
	Volvo Penta (EU Stage 4, 13 I - 315 kW (428 HP) / 1900 rpm)	Volvo Penta (EU Stage 4, 13 I - 315 kW (428 HP) / 1900 rpm)	-	-
	Caterpillar (Stage IIIA 9.0 I - 280 kW (374 HP) / 2200 rpm)	Caterpillar (Stage IIIA 9.0 I - 280 kW (374 HP) / 2200 rpm)	-	-
	Caterpillar (EU Stage Tier 4 Final), 9.3B I - 310 kW (416 HP) / 2200 o6/rpm)	Caterpillar (EU Stage V, Tier 4 Final), 9.3B I - 310 kW (416 HP) / 2200 rpm)	Caterpillar (EU Stage V, Tier 4 Final), 9.3B I - 310 kW (416 HP) / 2200 o6/rpm)	-
Electric engine (shafts + hydraulics)	-	-	250 kW (340 HP) + 22 kW (30 HP)	-
Fuel tank capacity [l]	700	700	700	1200
Cleanfix system for engine cooling system	+	+	+	+
Cleanfix system for hydraulic oil cooler	+	+	+	+
Lighting for engine area	+	+	+	+

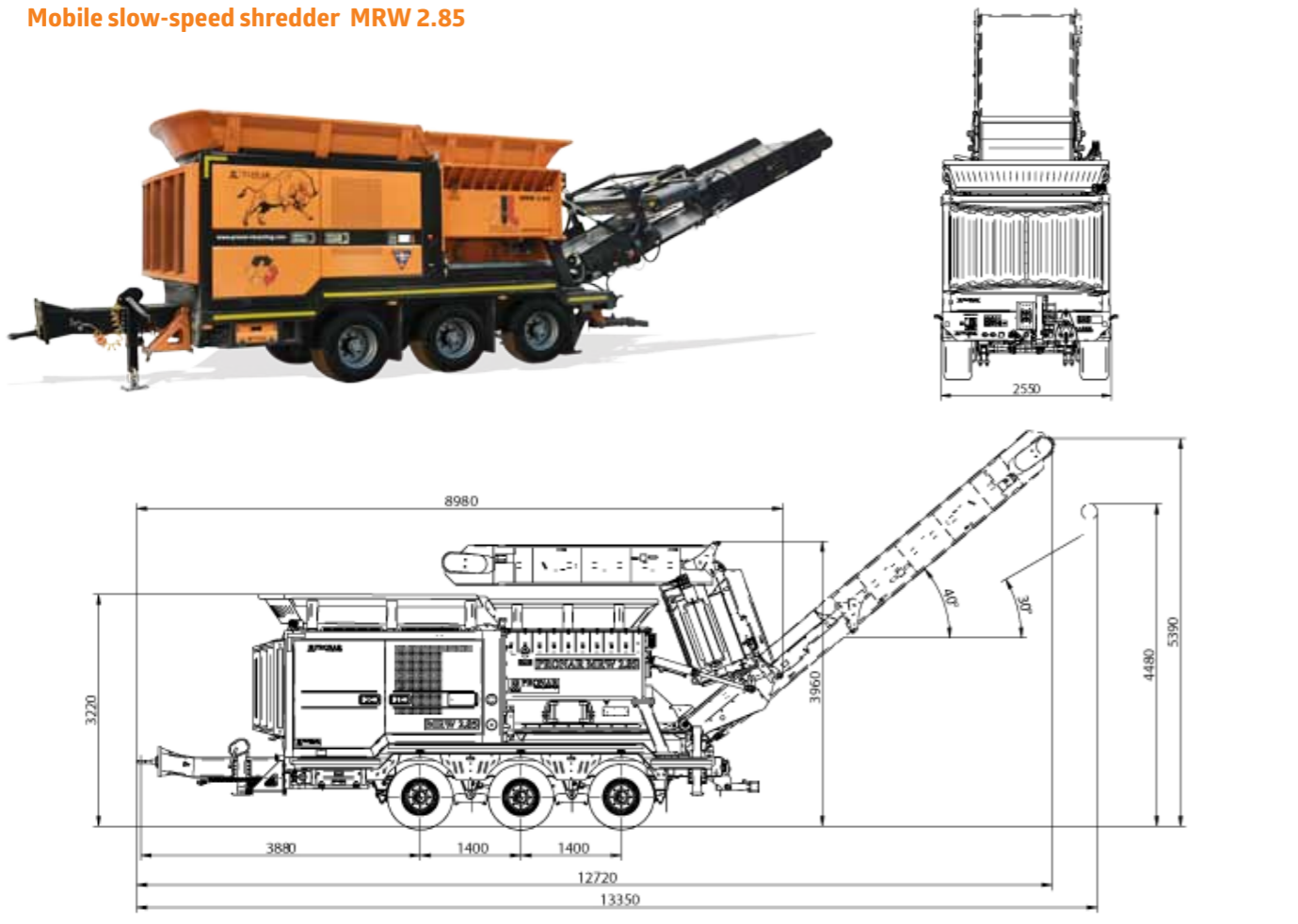
### Advantages:

- \* Processing of a wide range of materials
- \* Easy service thanks to easy access to engine area
- \* Remote control as a standard
- \* Shredding chamber inspection doors on both sides
- \* User-friendly control panel
- \* Shaft automatic self-cleaning system
- \* Cleanfix system for engine radiator and hydraulic oil cooler
- \* High efficiency
- \* Shredding chamber made from top -quality materials

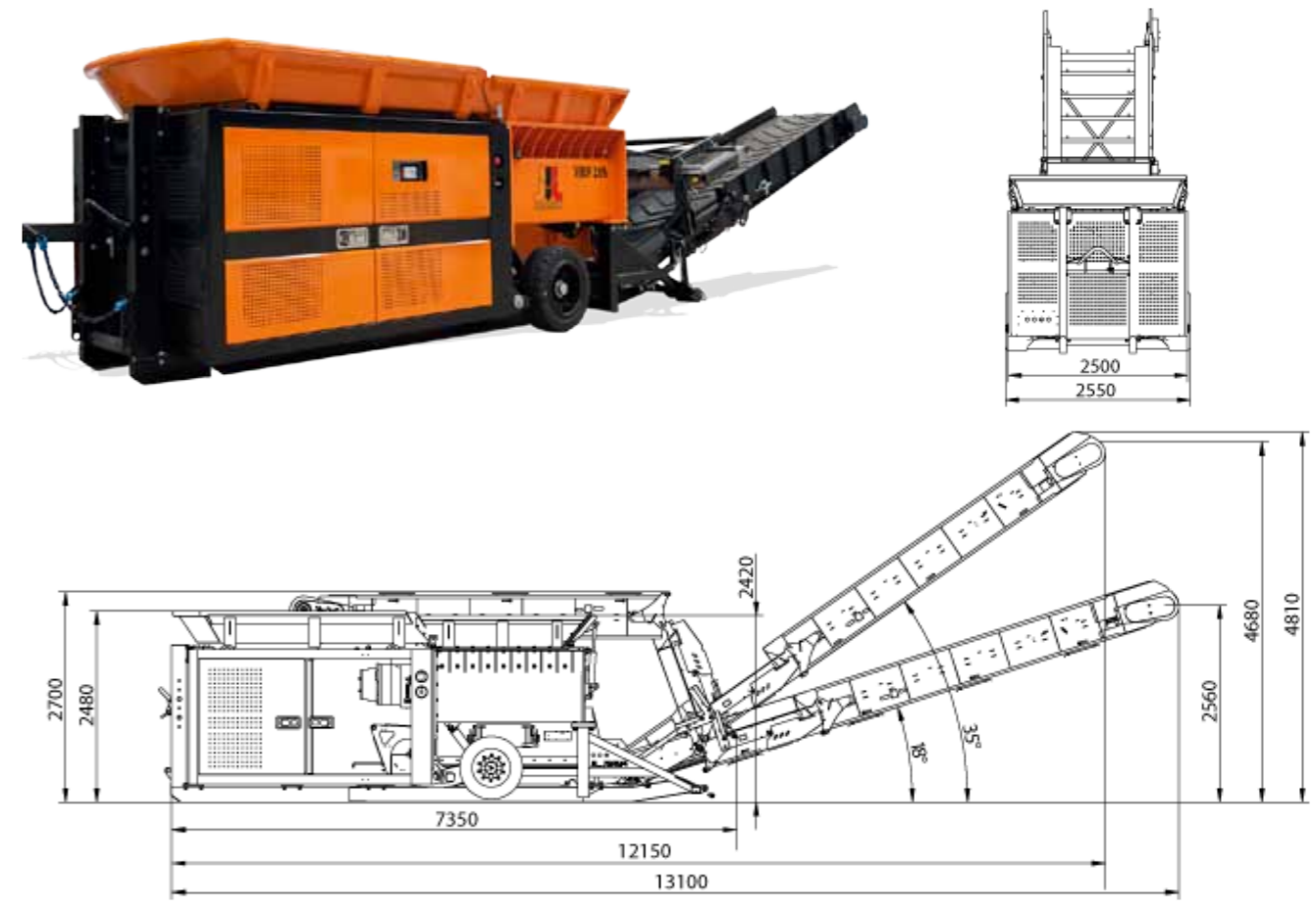


MOBILE SLOW-SPEED SHREDDERS  
**MRW 2.85 / 2.85g / 2.85h / 2.1010**

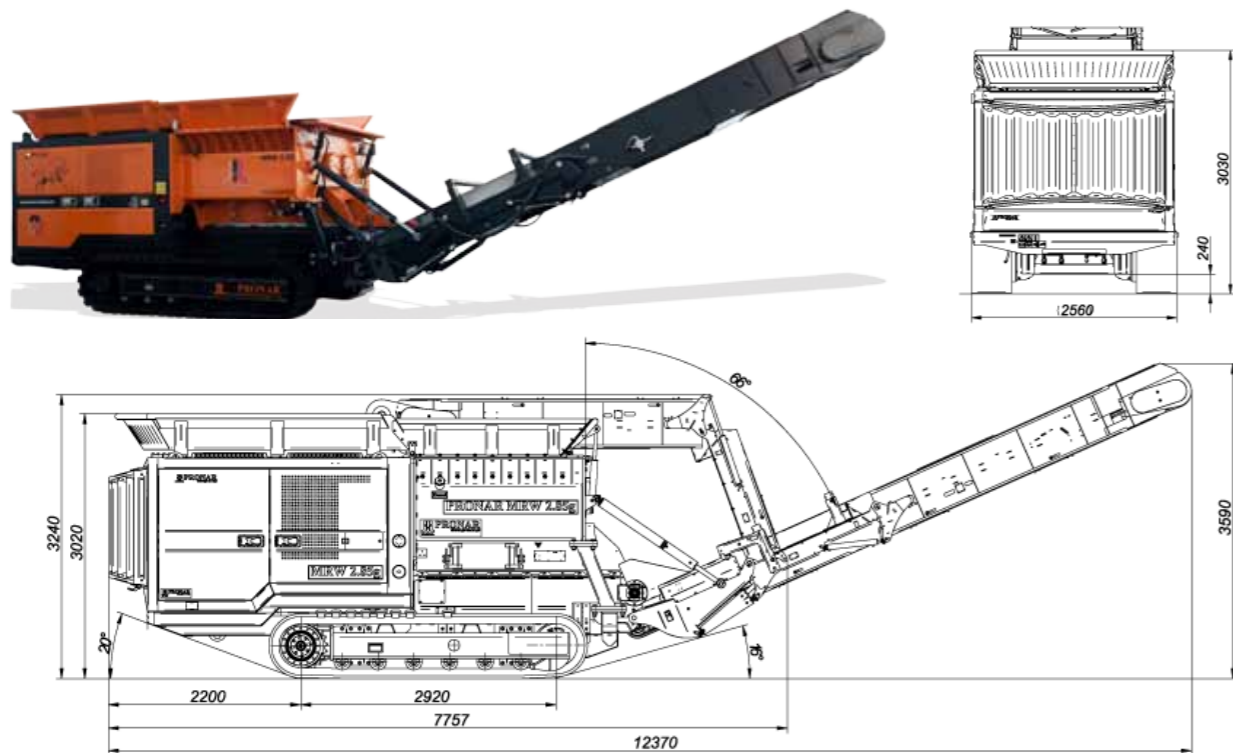
Mobile slow-speed shredder MRW 2.85



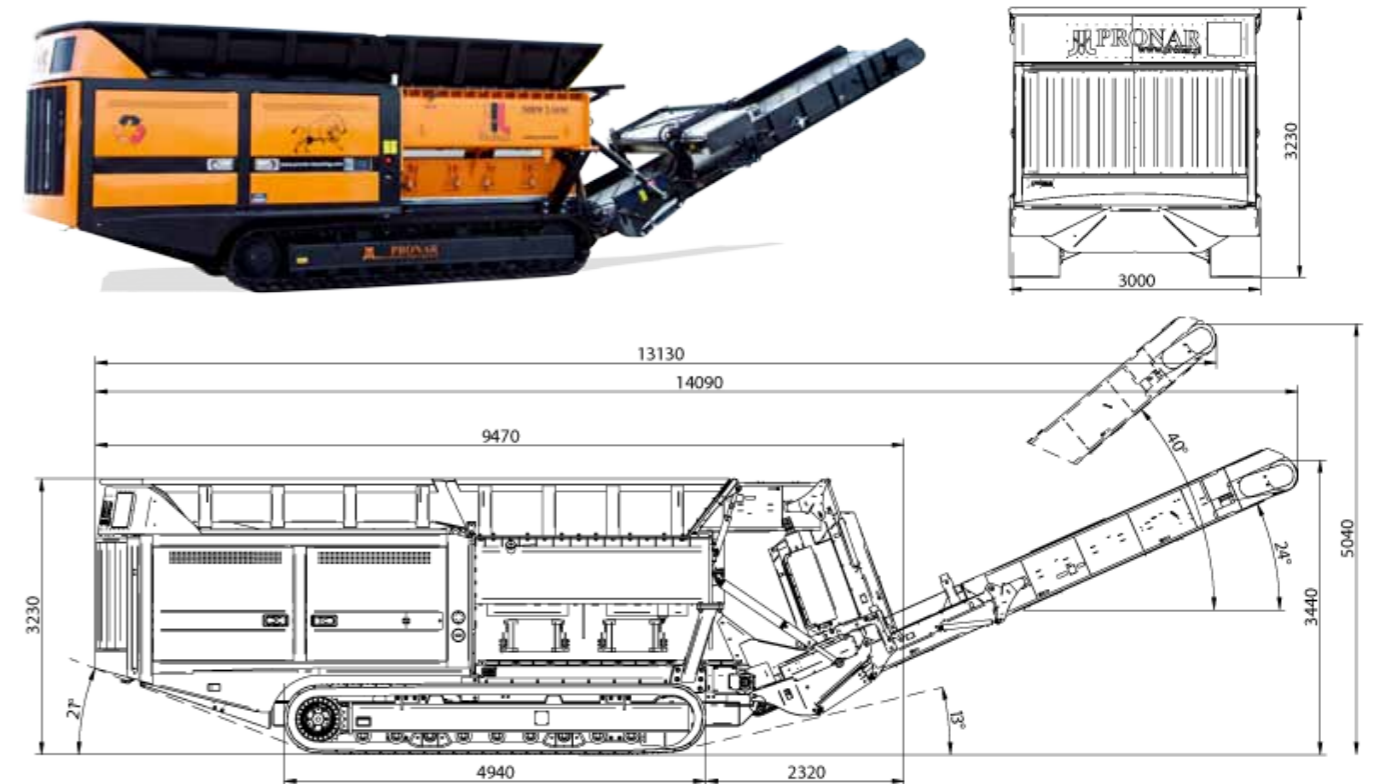
Mobile slow-speed shredder on hooklift chassis MRW 2.85h



Mobile slow-speed shredder on tracked chassis MRW2.85g



Mobile slow-speed shredder on tracked chassis MRW 2.1010







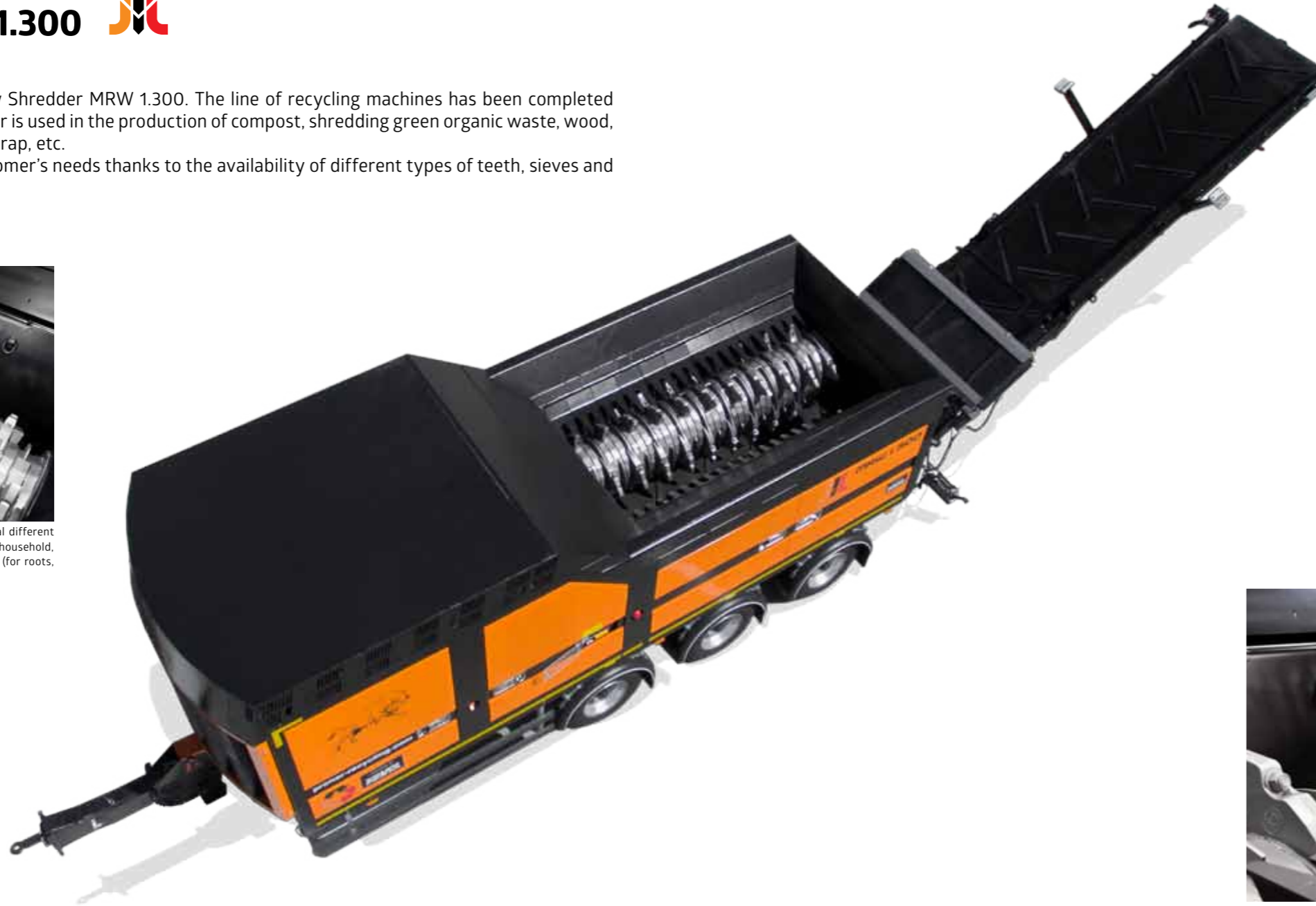
Pronar introduced the new Mobile Slow Shredder MRW 1.300. The line of recycling machines has been completed with a single-shaft machine. The shredder is used in the production of compost, shredding green organic waste, wood, biomass, paper, plastics and foil, small scrap, etc. The machine can be adapted to the customer's needs thanks to the availability of different types of teeth, sieves and counter-knives.



Single shaft with max. 27 rpm. Depending on the input material different types of knives are available: breakers (for wood, green waste, household, plastic), cutting (for rubber, foil, plastics, fabrics) and crumbling (for roots, logs, railway sleepers)



Magnetic separator for separating ferrous elements from shredding material



Counter knives. The grinding system tilting beam system with counterknives ensures long operations of the shredder allows removal of large, unbreakable materials - longer and troublefree operations of the machine. The standard electric reverse allows you to rotate the shaft in any direction without starting the combustion engine to remove blockages



The standard shaft has 42 knife attachment sockets. Assembly and replacement are possible using generally available tools, and exchange is fast.

Engine - Volvo Penta (550 hp/ 405 kW)



Cleanfix. Facilitates work in difficult conditions - automatic cleaning of oil cooler



**Sizing basket**

Get the size of the material that is right for you. Choose size and shape of holes in the basket that is placed under the shaft. Those baskets are easily changeable.



Easily accessible shedding chamber for cleaning or changing counter knives.







**THREE-AXLE CHASSIS**

**MRW 1.300**

Maximum total weight [kg]	27000
Overall dimensions (length / width / height) [mm]	10 000 x 2500 x 3700

**SHREDDING SYSTEM**

**MRW 1.300**

Number of shafts [Pcs.]	1
Dimension of working shafts (length/diameter) [mm]	3000 / 970
Shaft speed [rpm]	27
Loading height [mm]	2850
Working chamber dimension (length/width) [mm]	3650 / 2200

**DRIVE**

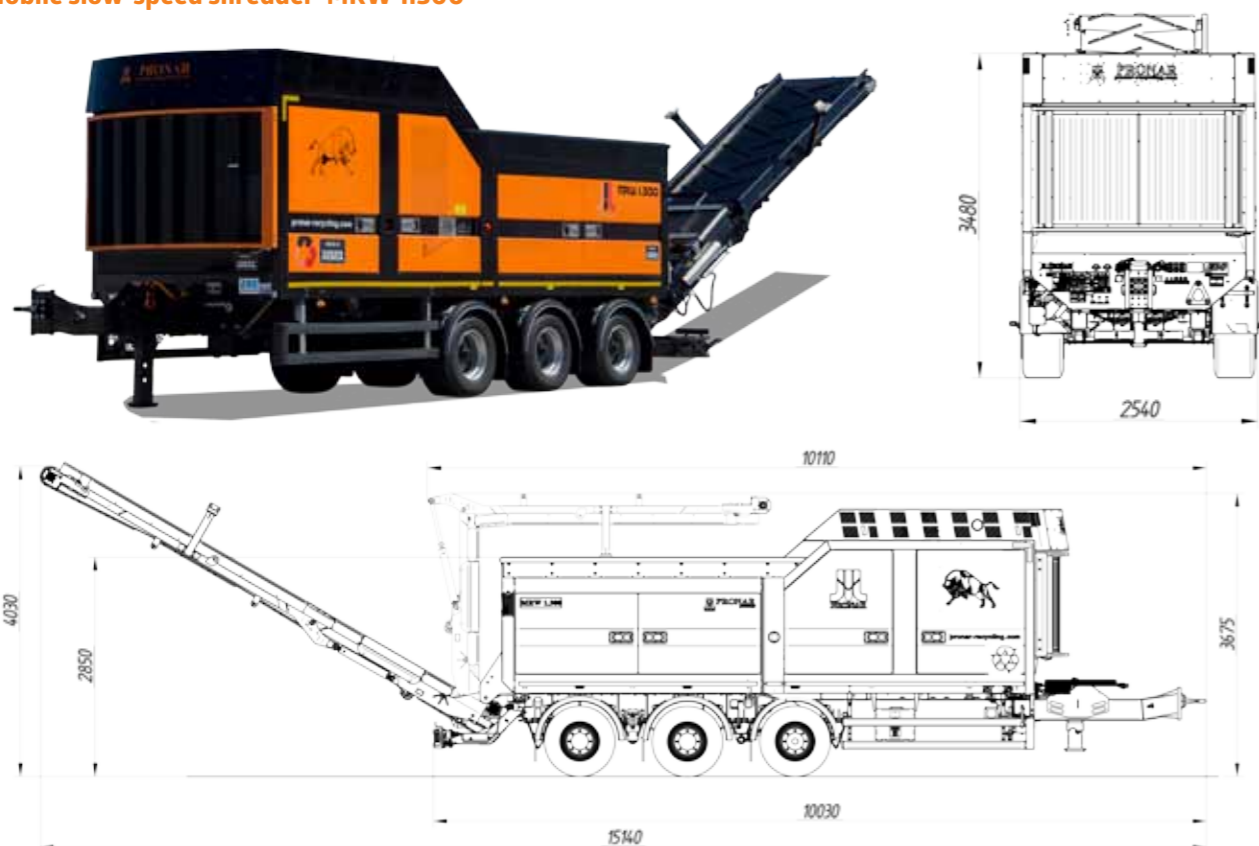
**MRW 1.300**

Diesel engine	Volvo Penta (Stage IV, Stage V, Tier 4 Final, 12,8 L, -MAX: 405 kW (550 HP) / 1900 rpm)
---------------	---

**Features and Standard equipment:**

- electric reverse
  - tilting bar system with counter knives
  - user-friendly knives replacement system
  - hydraulic front supporting leg
  - cleanfix system for engine cooler system
  - central lubrication system
  - remote control
  - large spacious doors with easy access to the engine and hydraulics
  - engine compartment lighting
  - stepless speed regulation of the conveyor
  - demountable bar with lights
  - ABS and traction control (permissible speed up to 100 km / h)
  - fuel tank with a capacity of 640l
- Additional and optional equipment:**
- ball coupling
  - magnetic separator
  - lightning of working areas
  - self crawler
  - air compressor

Mobile slow-speed shredder MRW 1.300



**THREE-AXLE CHASSIS**

**MRS 1.53**

Total weight [kg]	- 24 000
Dimensions [length/width/height] [mm]	12000 x 2550 x 3750

**WORKING PARAMETERS**

**MRS 1.53**

Number of shafts [Pcs.]	1
Shredding shaft dimensions (length/diameter) [mm]	1750 / 1100
Rotation speed [rpm]	1000
Loading height [mm]	2450
Working chamber dimensions (length/width) [mm]	3650 / 2200

**DIESEL ENGINE**

**MRS 1.53**

Engines	Volvo Penta (Stage V, 12.8l, 13 L, -MAX: 389.81 kW (530 HP) / 1900 rpm)
---------	---

**Features and Standard equipment:**

- easy sieve exchange
  - easy knives replacement
  - hydraulic front supporting leg
  - automatic cleaning system of engine cooler - Cleanfix
  - central lubrication system
  - wireless remote control
  - large spacious doors with easy access to engine and hydraulics
  - engine compartment lighting
  - stepless conveyor speed regulation
  - demountable lighting beam
  - ABS and traction control (permissible speed up to 100 km / h)
  - fuel tank with a capacity of 700l
- Additional and optional equipment:**
- magnetic separator above the rear conveyor (overband) lowered / raised mechanically together with the conveyor
  - ball coupling for towing
  - lighting of work zones
  - working knives for various materials

Mobile High-Speed Shredder MRS 1.53







Pronar presented new high-speed shredder MRS 1.53. It is a great addition to the recycling line-up as a single-shaft machine. This shredder is designed to prepare compost, shred wood and green waste. The working shaft can be configured with different types of knives.



**Magnetic separator**  
Use of neodymium magnet ensures effective separation of ferromagnetic material.

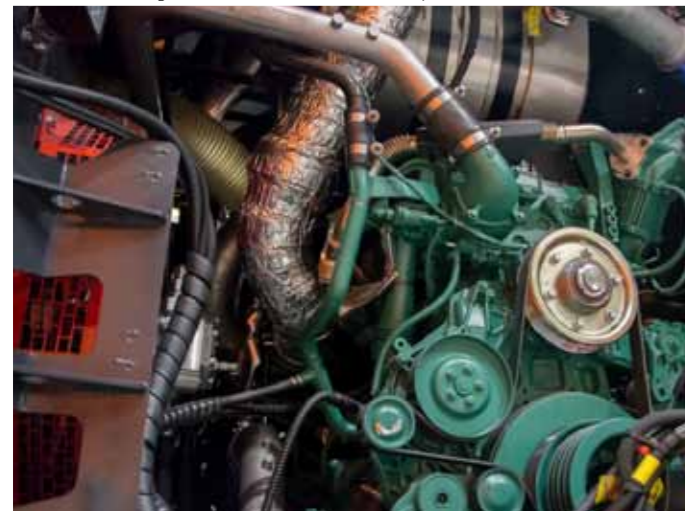


**Shredding shaft**  
Equipped with 36 knives, it rotates at 1000 rpm. Designed to work with pallets, green and wood waste



**Reversible radiator**  
Keeps engine and hydraulic oil coolers clean in dusty environment.

**Engine**  
Volvo Penta (EU Stage V, 13L, 390 kW, 530 BHP @ 1900 rpm)



**Sieve**  
The size of the obtained fraction is regulated by an exchangeable sieve placed under the grinding shaft. Innovative water cutting technology maintains the most important material properties during processing.



**Self-crawler**  
The machine can perform basic maneuvers without the need for additional equipment.



**Central lubrication system**  
Provides automatic lubrication of all key machine components.





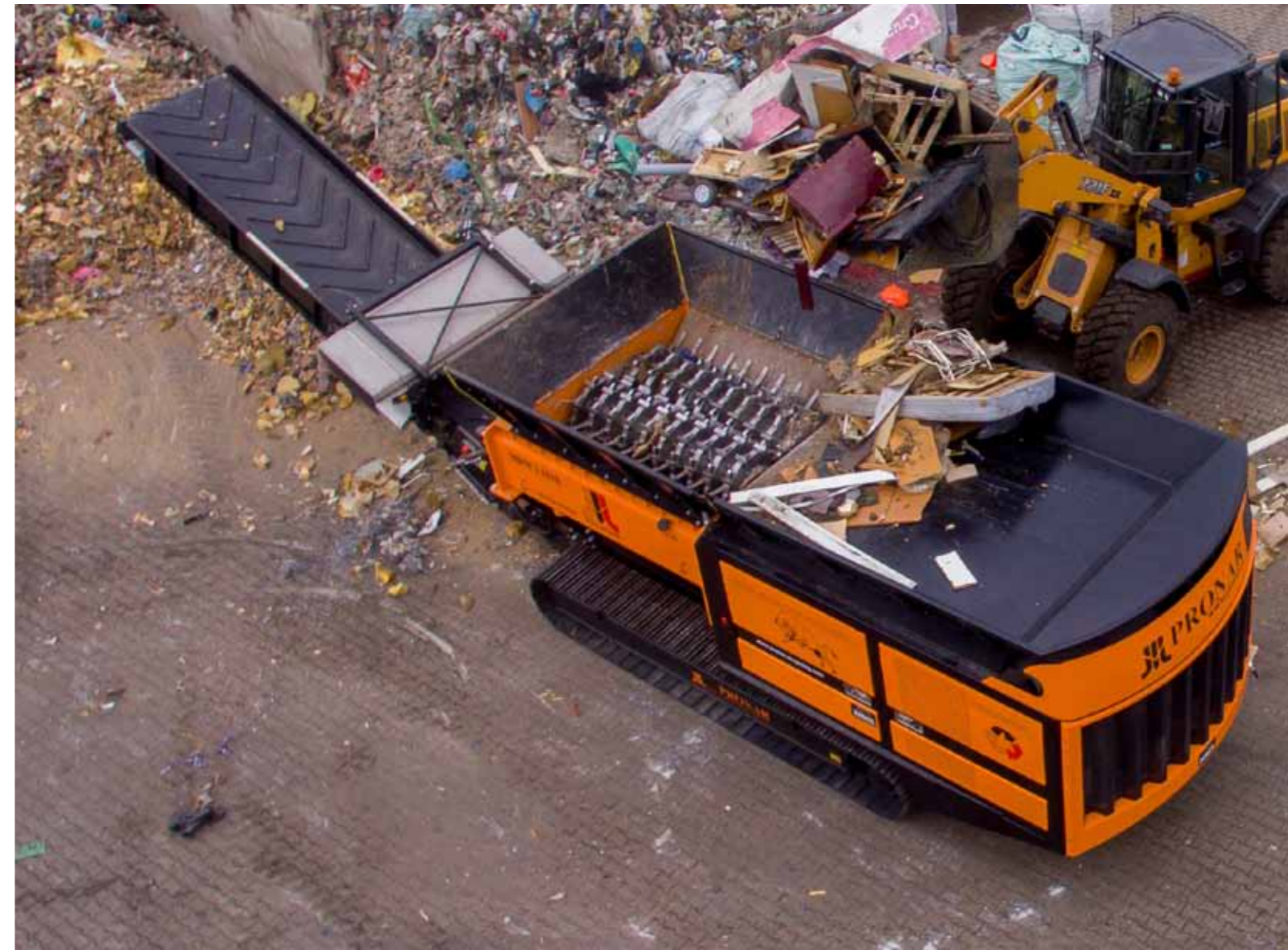


The shredding shafts used in Pronar MRW and MRS series recycling machines, as well as custom-made shafts, are solutions tailored to customer's needs. A wide range allows to apply them to all the most popular work - shredding municipal waste, construction waste, pallets, light debris, tree stumps, branches, bulky materials or scrap. The customer can make a choice of either a universal shaft or with knives and hooks designed for a specific type of material. During the production of shafts, the latest technologies are used - including water cutting. This ensures high hardness of the shredding element of the shaft in its entire cross-section. The use of intelligent welding robots allows to achieve perfect weld and high repeatability of movements. Long work without the need of frequent regenerating of the shafts is ensured by the use of high resistance steel.

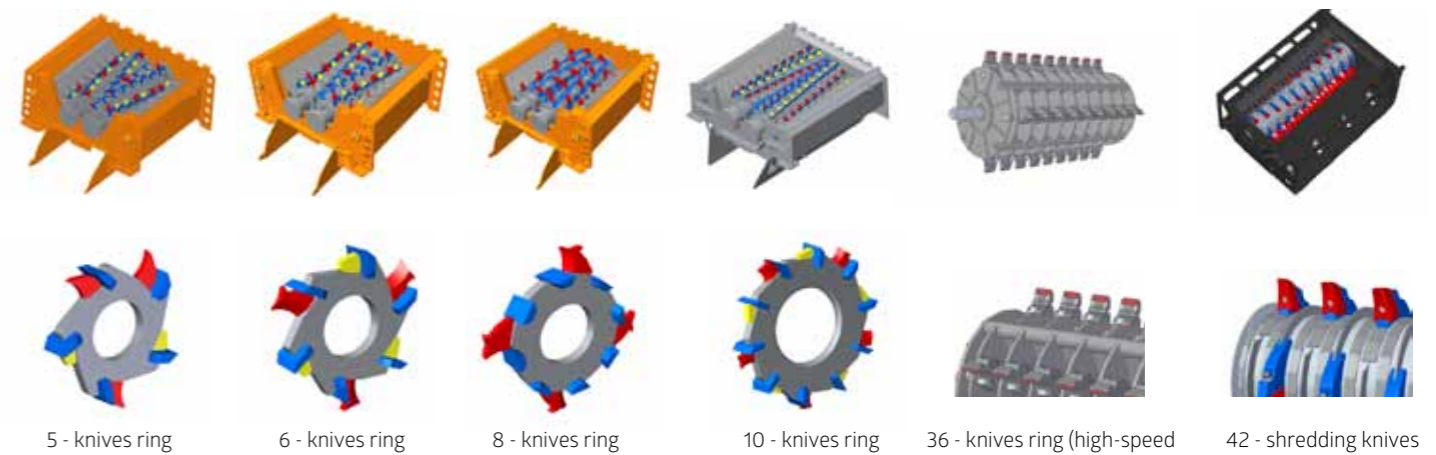


Shredding shafts

Shafts	Type of the shredded materials:
5-knives	- wood waste (tree stumps, pallets, furniture) - municipal and industrial waste - household waste - bulky waste - tyres - aluminum - paper, paper bales - railroad sleepers
6-knives	- wood waste (tree stumps, pallets, furniture) - municipal and industrial waste - household waste - bulky waste - tyres - aluminum - paper, paper bales - thin-walled scrap up to 2 mm thick - railroad sleepers
8-knives	- wood waste (tree stumps, pallets, furniture) - green waste
10-knives	- wood waste (tree stumps, pallets, furniture) - municipal and industrial waste - household waste - bulky waste - tyres - aluminum - paper, paper bales - thin-walled scrap up to 2 mm thick, car bodies - railroad sleepers
36-knives (for the fast-speed shredders)	- wood waste, pallets - green waste
42-knives (for the single shaft slow speed shredders)	- wood waste (tree stumps, pallets, furniture) - municipal and industrial waste - household waste - bulky waste - railroad sleepers



Shredding shafts in the PRONAR MRW 2.1010 machine



5 - knives ring    6 - knives ring    8 - knives ring    10 - knives ring    36 - knives ring (high-speed shaft)    42 - shredding knives



The Pronar Mobile Windrow Turner MBA 4512g is used to optimize the parameters of the biological compost decomposition on heaps to accelerate this process by releasing excess heat, allowing water to evaporate, or wetting the material, aerating and loosening the dropped waste. The shaft with a diameter of 1.2 m allows to achieve a capacity of approximately 3000 m<sup>3</sup> per hour of compost on prisms up to 4.5 m wide and up to 2.2 m high. The shaft can rotate at speeds of up to 220 rpm. The choice of direction can be changed at any time by the user, also during work. The knives of the shifting shaft, plowshares, slides of the scraping wings and plowshares of the rear stripping scraper are made of high-resistant steel, thanks to which their service life is increased.

- Air conditioning and heating system ensure comfort at any temperature, and the air cleaning system in the cabin (meeting the EN-15695 standard cat. 4) guarantees clean air without dust and odors from the outside.

Four independently adjustable work lamps on both front and back allow to work after dark and in difficult lighting conditions



When working in difficult conditions and high dust content, in order to ensure the reliability of the engine and hydraulic oil cooling system, the radiators have been equipped with an automatic cleaning system (Cleanfix)



Central system for exchange of operating fluids has been placed on the left and right sides of the machine



The camera ensures visibility on the back of the Windrow Turner, making it easier to work and raises the level of security



Optional side mirrors - Improve visibility and safety around the machine



The Windrow Turner with the working shaft has the possibility of lifting 35 cm



High-mounted cab ensures visibility in every direction



Central lubrication system improves the comfort of work and ensures the continuity of lubrication of the most important points of the machine, extending its working life



Engine Volvo Penta (EU Stage 4, 160 kW (218 KM))





MBA 4512g – compost



MBA 4512g – compost



MBA 4512g – compost

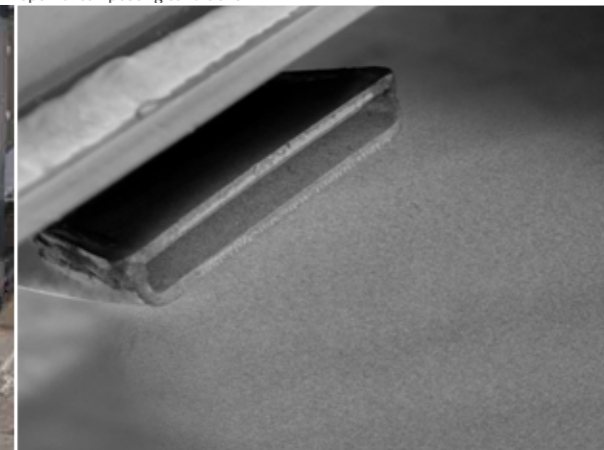
Adjustable tailgate limits the ejection of compost



Track drive allows convenient maneuvering of the machine and moving at speeds of up to 4km/h



Sprinkler system mounted on the machine moistens the material to ensure optimal composting conditions



Parking power supply allows to operate the Windrow Turner without starting the diesel engine for service and maintenance



An ergonomic pneumatic suspension seat with automatic positioning, weight control, vibration damping has been installed in the cab





<b>WINDROW TURNER</b>		<b>MBA 4512g</b>
Total weight [kg]		14 500
Dimensions (length/width/height) [mm]		4000 / 5170 / 4600
<b>WORKING PARAMETERS</b>		<b>MBA 4512g</b>
Shaft diameter[mm]		1200
Max. width of prism [m]		4500
Max. height of prism [m]		2200
Speed of the shaft [rpm]		220
Efficiency [m <sup>3</sup> /h]		3200
<b>ENGINE</b>		<b>MBA 4512g</b>
		Volvo (EU Stage IV, V, 160 kW (218 KM))

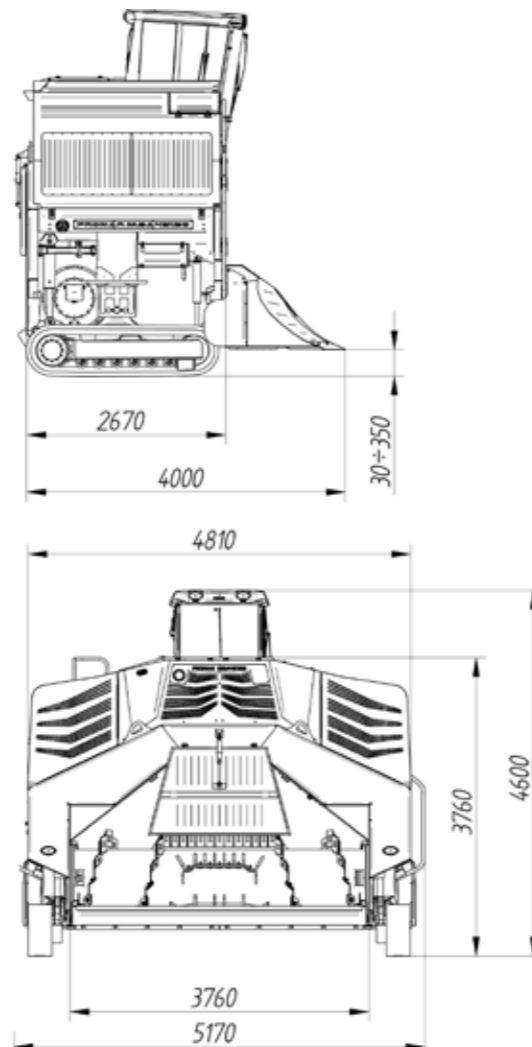
**Standard equipment**

- control: two joysticks and a touch screen
- radio MP3
- machine status indicator with sound signaling
- central lubrication system
- air conditioning
- four lights
- rear camera
- reversible fans for radiators cleaning
- points for drainage of operating fluids

**Additional equipment**

- hydraulic oil heating system to facilitate start of work at low temperatures
- CB radio - the operator can stay in constant contact with the composting facility
- sunblinds
- rear ripping strip
- prism sprinkling system
- 360 monitoring
- hose drum
- feed pump
- fleece winder

**Windrow turner MBA 4512g**







**Mobile Stockpilers Pronar MPT 24g and MPT 18g have a wide range of application, high efficiency are mobile and heavy duty.**

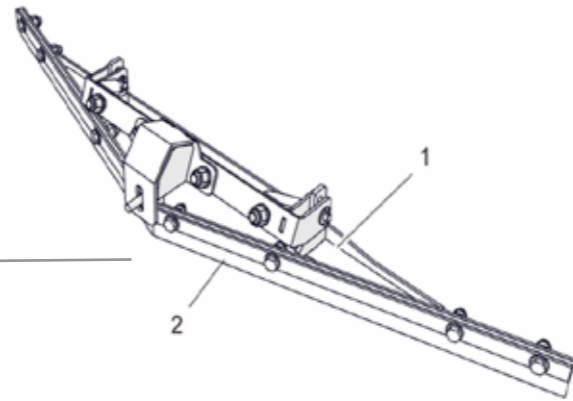
Stockpiler could be a part of the processing line of raw materials or can be fed directly by a wheeled loader or excavator after fitting a direct charge hopper with the capacity of 8 m<sup>3</sup>.

Stockpiler can be ready for work in amazingly short period of time.

The use of stockpilers in the processing line of raw materials saves money by reducing expenses on maintaining a wheeled loader and an operator. Low fuel consumption and maintenance-free operation are the main advantages of MPT.



Durable belt drive drum



The scraper strip inside the belt extends the life of the transmission belt, rollers, bearings, etc.

Nominal belt speed is obtained at low rotations of combustion engine (1600 min<sup>-1</sup>) - low fuel consumption



Large engine capacity and high torque = high flexibility



High durability of the stockpiler enables the use of a direct charge hopper with a capacity of 8 m<sup>3</sup> without any additional modifications to the stockpiler

Theoretical maximum volume of 1700 m<sup>3</sup> cone. When storing gravel with density 1600 tons / m<sup>3</sup>, the pile contains 2725 tons of material. The weight of the raw material on the pile depends on material



The ability to change the angle of rollers supporting the belt to form stream of transferred material (change of the belt's profile)



The functional control panel allows to monitor and set work parameters of the stockpiler

Support legs of the stockpiler improve safety and stability of the machine. Available options: hydraulic (on the photo) or mechanical



The wireless remote control allows to prepare the machine for work in a short period of time and provide comfortable handling during work



Smooth or chevron belt type



A scraper on the top of the stockpiler, cleans the belt from the material that stick to the belt and simultaneously increases the efficiency of material transfer





MOBILE STOCKPILER  
MPT 18g, 24g



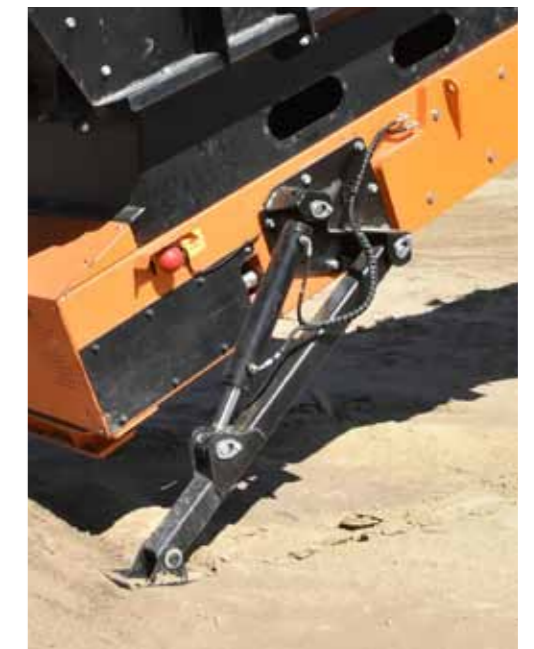
The hopper chute allows to adjust the release speed of the material from the hopper



The beam with adjustable dampers relieves the belt and eliminates dynamic loads during feeding



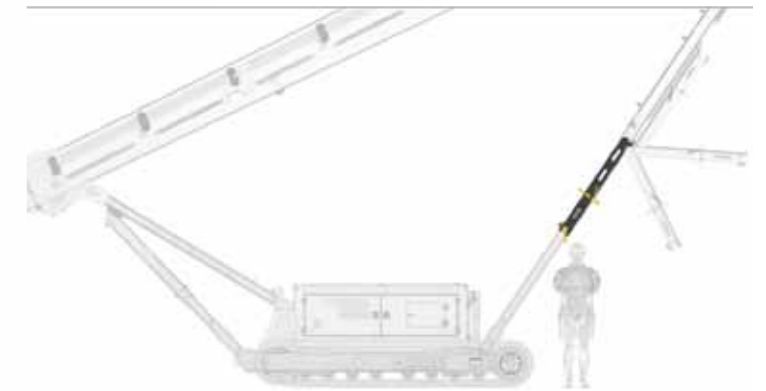
The compact design allows transport in a 40 feet HQ container



Hydraulic supporting legs (as an option) at the rear of the stockpiler



Rubber track pads protect the ground against the scratches



Thanks to the additional tiltable segment an easy access to the locking pins is provided

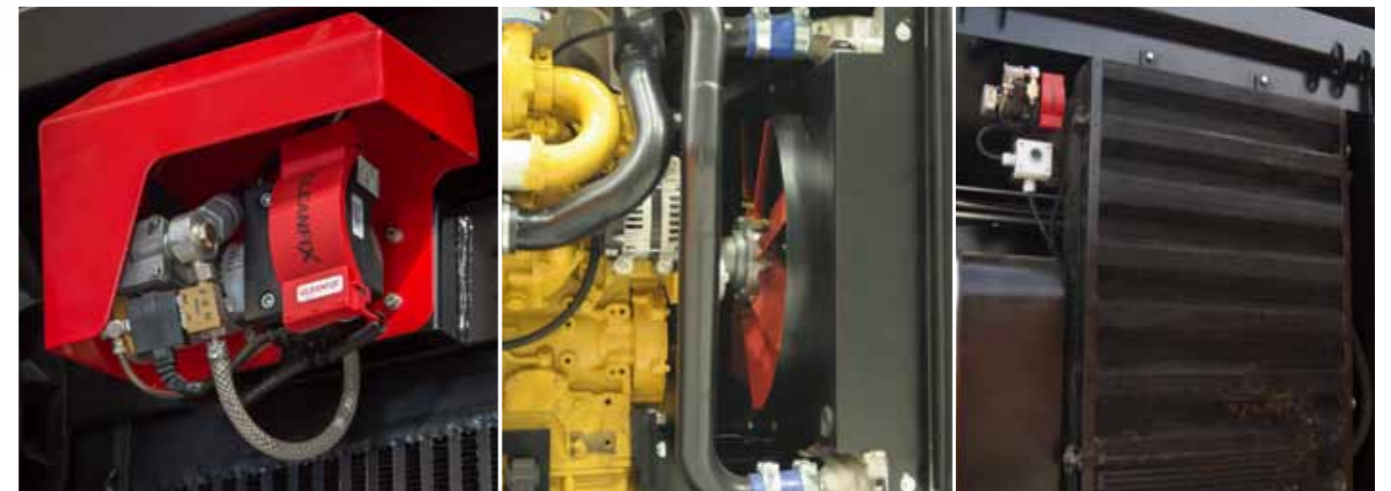
Stockpiler opening mechanism



Bumper at the back of the stockpiler protects the shields against damage when leaning construction on the ground (when we do not use the supporting legs)



The Cleanfix system protects the engine from overheating due to clogged radiator, cleaning it periodically and guaranteeing effective heat exchange



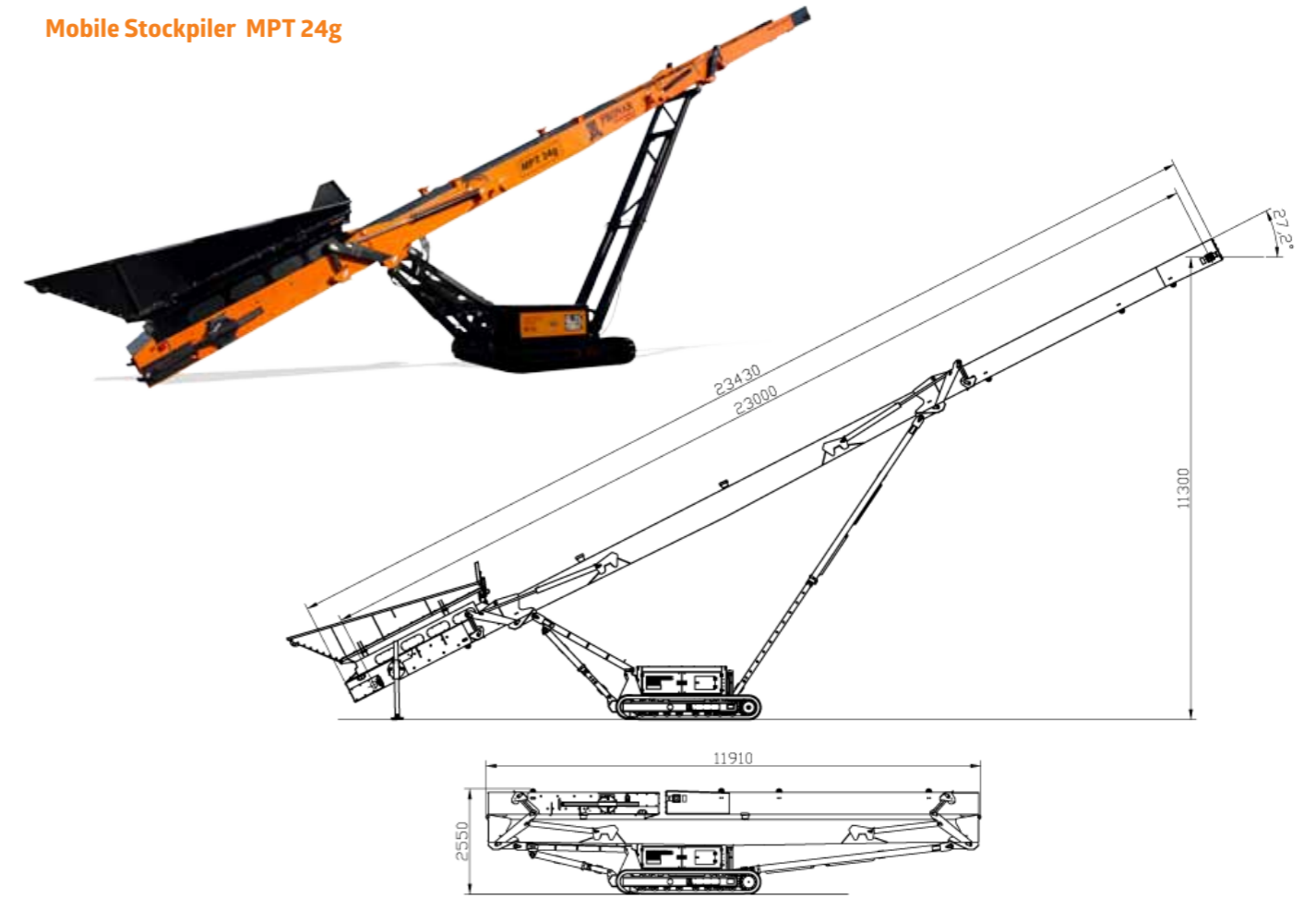


MOBILE STOCKPILER  
MPT 18g, 24g

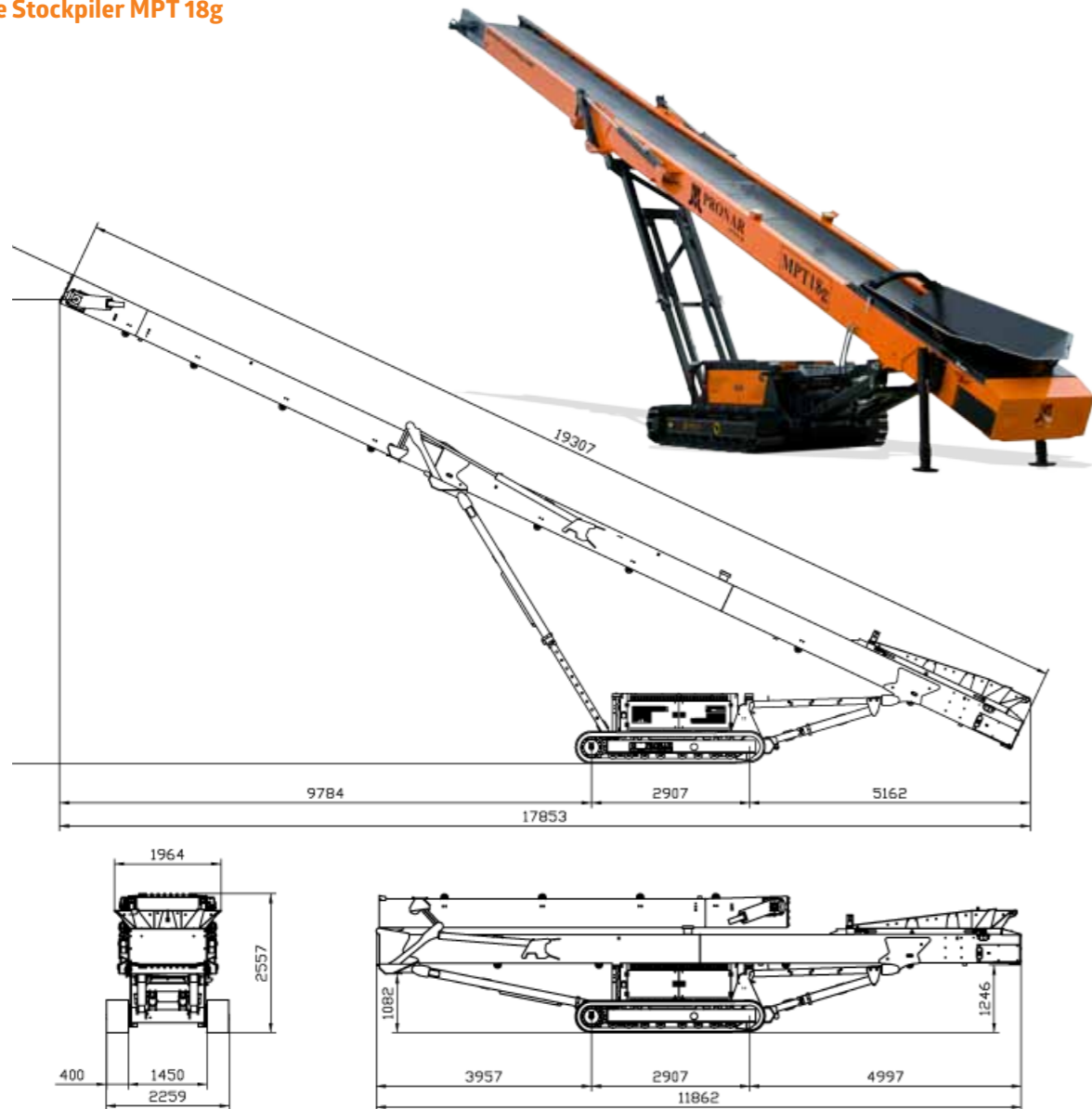


CHASSIS	MPT 18g	MPT 24g
Weight [kg]	13800	15600
Dimension (length/width/height) [mm]	11862/2259/2557	11910/2259/2550
MATERIAL TRANSPORT	MPT 18g	MPT 24g
Efficiency max [t/h]	option 500/600	option 500/600
Max working angle of the stockpiler [°]	25,2	27,2
Max discharge height [mm]	8700	11300
Belt width [mm]	1000	1000
Belt length [mm]	18475	23000
ENGINE	MPT 18g	MPT 24g
Diesel engine	Caterpillar (EU Stage 3B, 3.4 l – 55,4 kW (75 HP) / 2200 rpm)	Caterpillar (EU Stage 3B, 3.4 l – 55,4 kW (75 HP) / 2200 rpm)
	Caterpillar (EU Stage V, 2.8l – 55 kW (74 HP) / 2500 rpm)	Caterpillar (EU Stage V, 2.8l – 55 kW (74 HP) / 2500 rpm)

Mobile Stockpiler MPT 24g



Mobile Stockpiler MPT 18g







MPT 24g



MPT 24g

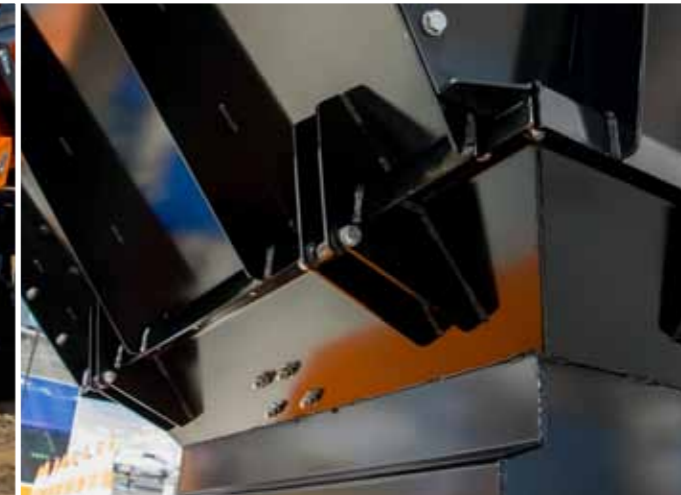
MPB 20.72 and MPT 24g the sand screening line



Mechanical support legs at the rear of the stockpiler



Tilttable walls of direct charge hopper







#### CONTROL PANEL

Intuitive and simple to control whole machine. Colour display shows all important parameters of work.



#### FOLDING MECHANISM

Efficient engines give the opportunity to quickly unfold the machine and start working. Throughout the entire process, the operator has full control.



#### ENGINE

An efficient and ecological diesel units that meet Stage V emission standards.



#### BELT

At the client's request, it is possible to use tapes with different types of rubber, abrasion class and lining thickness. An optional equipment is the side seal of the tape.



#### DURABLE MATERIALS

Machines are made of high-strength steel, which ensures high rigidity of individual segments of the conveyor.



#### CRAWLER CHASSIS

It allows you to move independently on difficult terrain and adapt the machine to work. In models MPT 18 / 1g and MPT 24 / 1g, caterpillars with a width of 40cm are mounted, in MPT 15g - 30cm (40cm is also available as an option).





MOBILE STOCKPILER  
**MPT 15g, 18/1g, 24/1g**

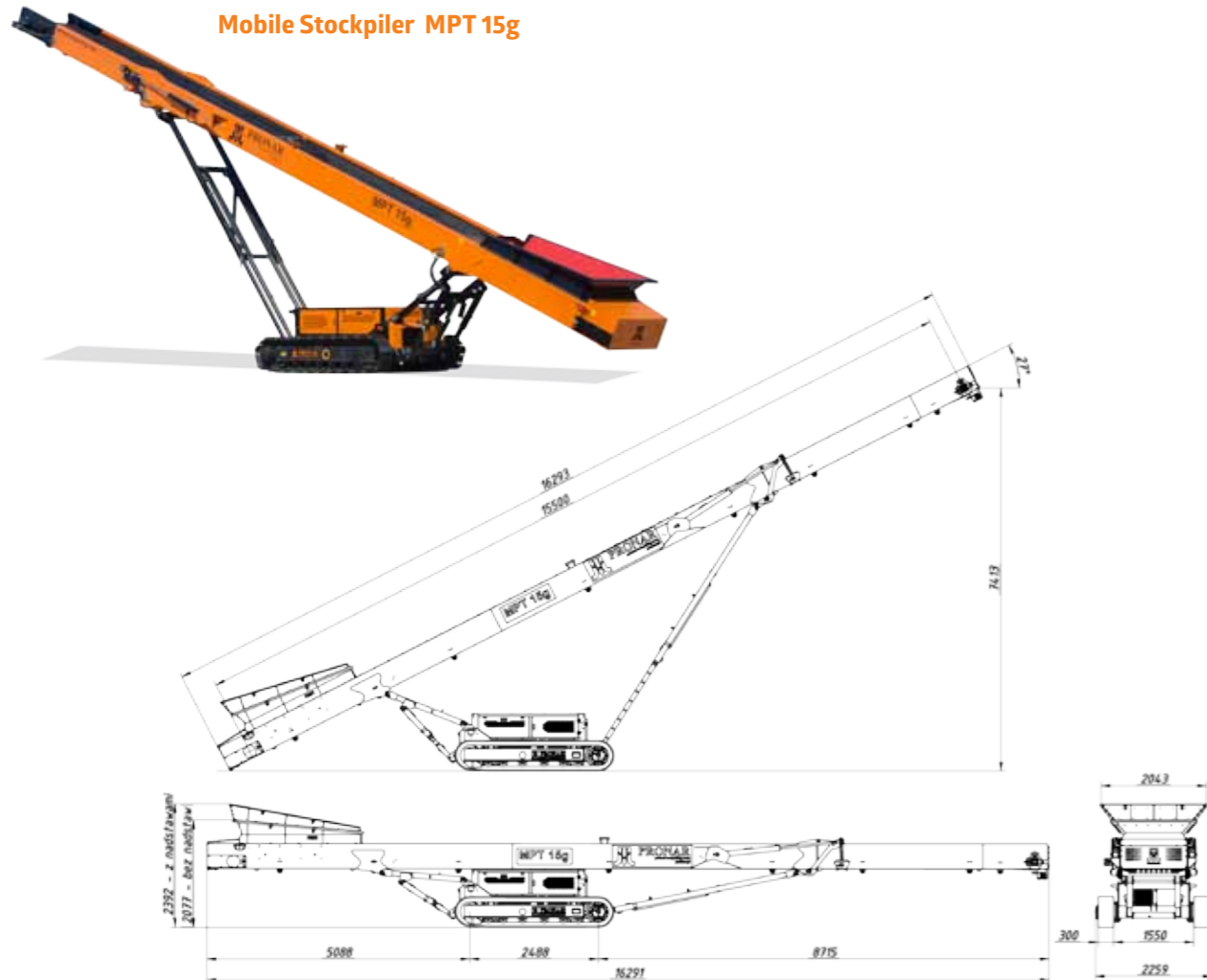


CHASSIS	MPT 15g	MPT 18/1g	MPT 24/1g
Weight [kg]	9385	9720	11265
Dimension (length/width/height) [mm]	11857/2259/2253-2411	11857/2249/2281-2441	11885/2249/ 2319-2475

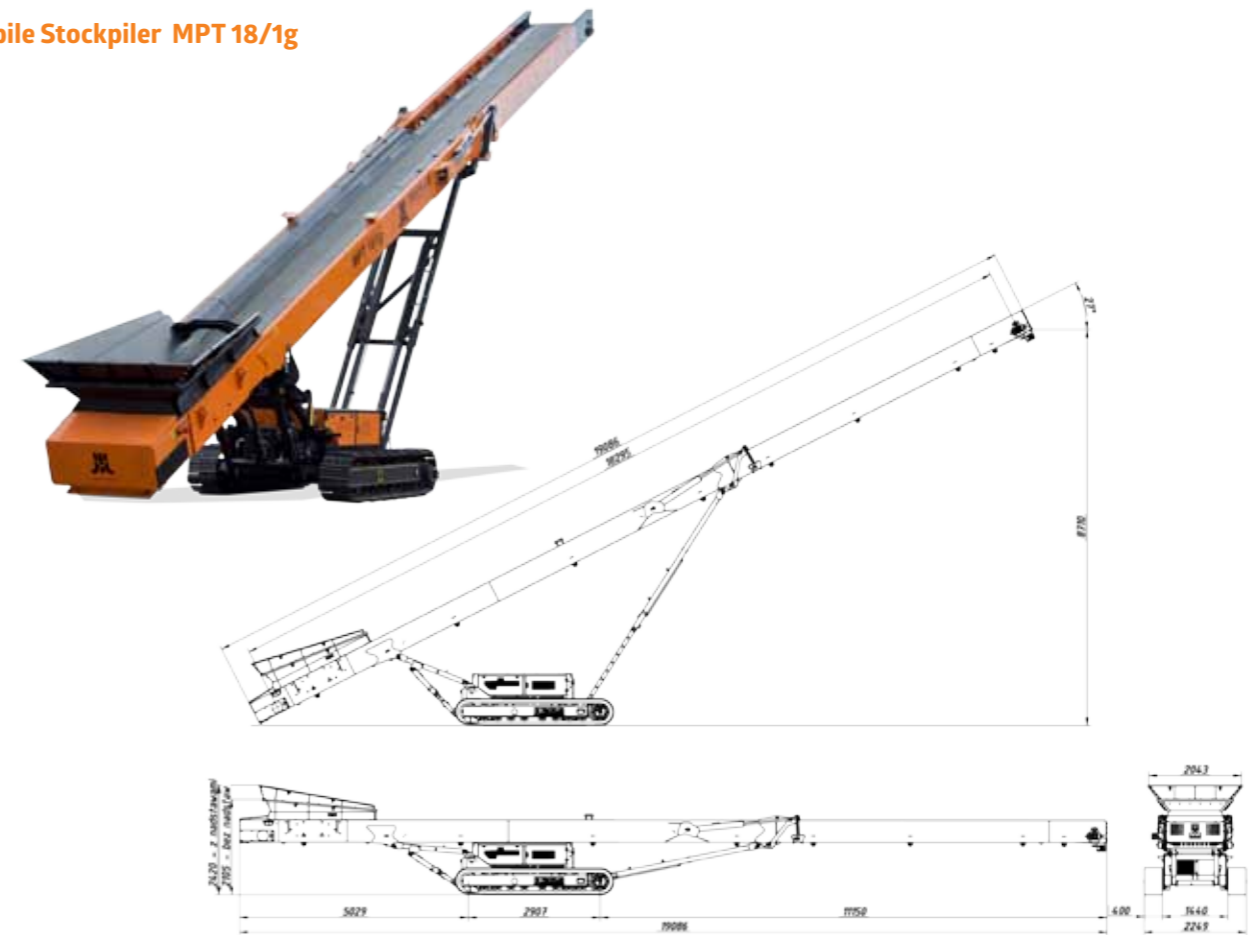
MATERIAL TRANSPORT	MPT 15g	MPT 18/1g	MPT 24/1g
Efficiency max [t/h]	up to 400	up to 400	up to 400
Max working angle of the stockpiler [°]	27°	27°	26,5°
Max discharge height [mm]	7413	8710	10600
Belt width [mm]	900	900	900
Belt length [mm]	15550	18295	22740

SILNIK	MPT 15g	MPT 18/1g	MPT 24/1g
Diesel engine	Caterpillar (EU Stage 3A, 2,2 l – 36,4 kW (50 HP) / 2300 rpm)	Caterpillar (EU Stage 3A, 2,2 l – 36,4 kW (50 HP) / 2300 rpm)	Caterpillar (EU Stage 3A, 2,2 l – 36,4 kW (50 HP) / 2300 rpm)
	Kubota (US Tier IV Final, 1,7 l – 37 kW (49,6 KM)	Kubota (US Tier IV Final, 1,7 l – 37 kW (49,6 KM)	Kubota (US Tier IV Final, 1,7 l – 37 kW (49,6 KM)
	Caterpillar (US Tier IV Final, 2,2 l – 50 kW (75 KM) / 2800 rpm)	Caterpillar (US Tier IV Final, 2,2 l – 50 kW (75 KM) / 2800 rpm)	Caterpillar (US Tier IV Final, 2,2 l – 50 kW (75 KM) / 2800 rpm)
	Caterpillar (EU Stage V), 1,7 l – 36 kW (48 KM)	Caterpillar (EU Stage V), 1,7 l – 36 kW (48 KM)	Caterpillar (EU Stage V), 1,7 l – 36 kW (48 KM)

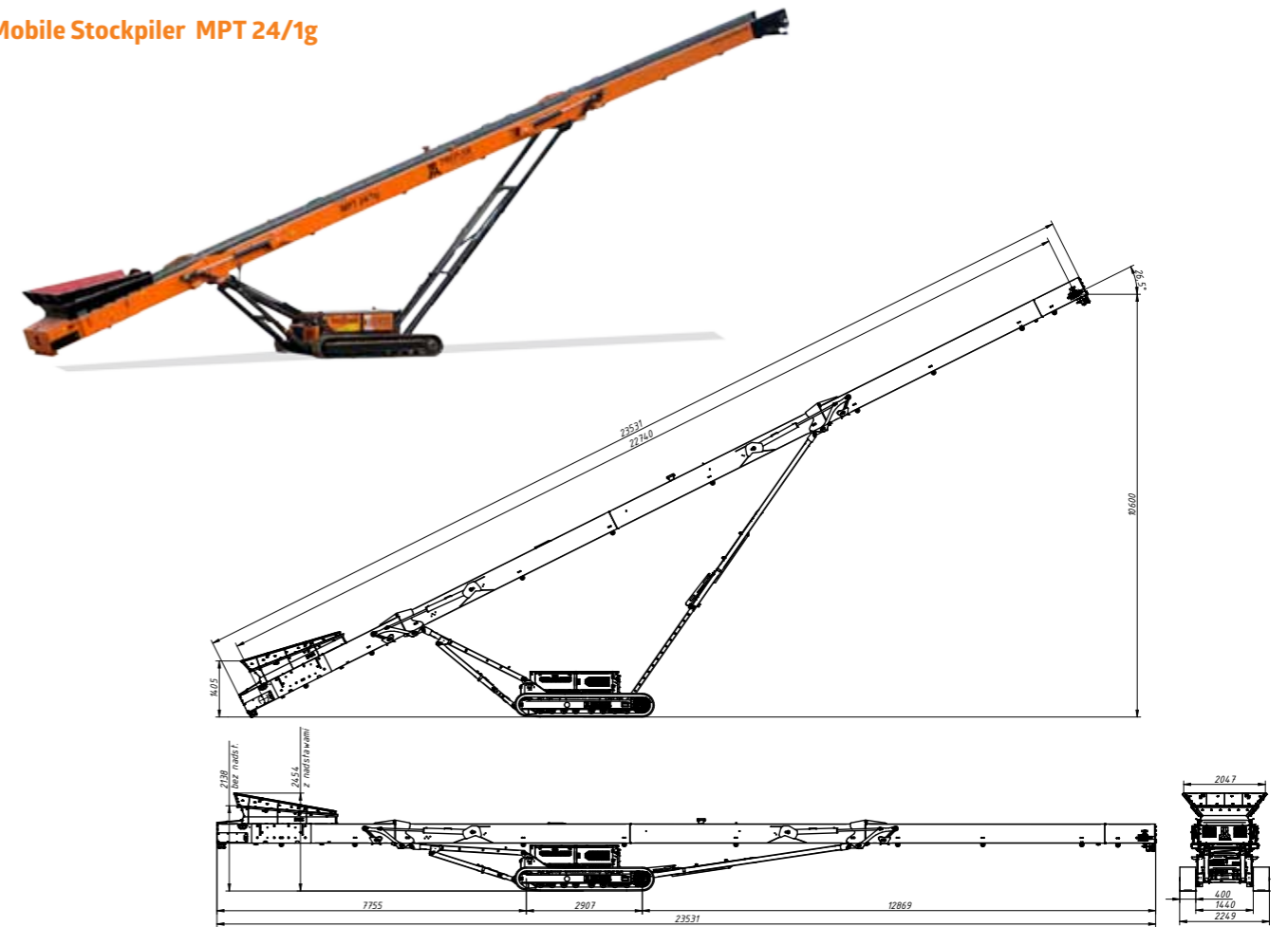
Mobile Stockpiler MPT 15g



Mobile Stockpiler MPT 18/1g



Mobile Stockpiler MPT 24/1g





HYDRAULIC CHANNEL BALING PRESS  
**PRONAR HPBK-67HA**



**HYDRAULIC CHANNEL BALING PRESS**

**HPBK-67HA**

Maximum crushing force [kN]	635
Binding	fourfold, horizontal, automatic
Weight of the bale (depends on the material) [kg]	up to 550
Engine power [kW]	37
Volume reduction (depends on the material) [%]	up to 90
Bale size (H/W/L) [mm]	750/1100/600-1200
Machine size (H/W/L) [mm]	8640/4070/3870
Loading hole dimensions (W/L) [mm]	1050/1530
Length of pressing channel [mm]	2670

**Useful information:**

- Fourfold, horizontal binding for easy transport and not scratching the surface
- Perforator and pre-crush bottles
- Automatic pressing process
- Resistive touch screen that can be used also while wearing gloves
- Locked doors to the pressing chamber
- Almost maintenance free – apart from refilling the wire

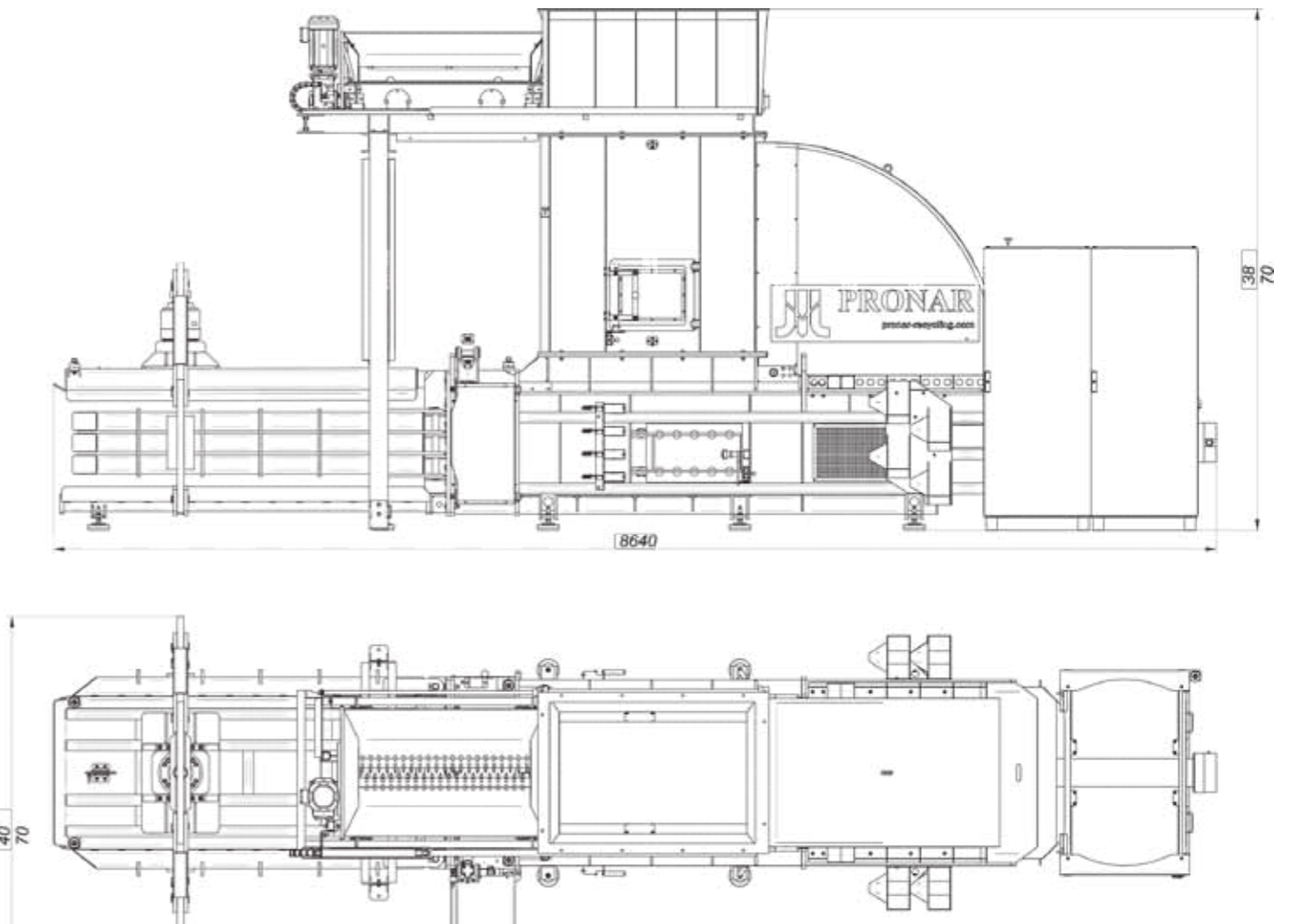
The main element of the **Pronar HPBK-67HA** press is a slider moving in the channel. Its movement is forced by a hydraulic cylinder with a maximum crushing force of 635 kN. The press slider compresses the material in the chamber, after which it is withdrawn from and the cycle is repeated after the chamber is filled again. After obtaining the appropriate - previously programmed - bale length, the machine starts the automatic fourfold binding system. The bale with a width of 1100 mm, a height of 750 mm and a length from 600 to 1200 mm is pushed out of the chamber by the next forming bale.

This press is not only modern but also safe to use. The machine is practically maintenance-free (apart from putting in the wire once in a while). Baling takes place automatically. The door to the crushing chamber is locked and secured with a special lock. The HPBK-67HA baling press is convenient to use as well. Its working parameters are set using a 10.4-inch touch screen. The technology used here allows operation without having to remove protective gloves.

**HYDRAULIC CHANNEL BALING PRESS HPBK-67HA**



**HYDRAULIC CHANNEL BALING PRESS HPBK-67HA**







Narew production facility nr 1



Narew production facility nr 2



Narew production facility nr 3



Narewka production facility



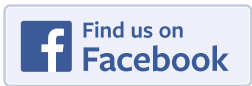
Strabla production facility



Siemiatycze production facility



Hajnówka production facility



**PRONAR** Sp. z o.o.  
17-210 Narew, Poland  
ul. Mickiewicza 101A

tel.: +48 85 682 72 16  
+48 85 682 72 65  
fax: +48 85 682 71 91

municipal.export@pronar.pl  
pronar-recycling.com  
pronar.pl

*Technology for nature*